

# RP 115 Press Tool



# Table of Contents

<b>Safety Symbols</b> .....	2
<b>General Power Tool Safety Warnings*</b>	
Work Area Safety .....	2
Electrical Safety .....	2
Personal Safety .....	3
Power Tool Use And Care .....	3
Battery Tool Use And Care .....	4
Service .....	4
<b>Specific Safety Information</b>	
Press Tool Safety .....	4
<b>RIDGID® Contact Information</b> .....	5
<b>Description</b> .....	5
<b>Specifications</b> .....	6
Standard Equipment .....	7
<b>Pre-Operation Inspection</b> .....	7
<b>Set-Up and Operation</b> .....	8
Removing/Installing Attachment .....	8
Preparing Connection .....	9
Pressing A Fitting .....	9
Inspecting The Pressed Connection .....	10
Work Light Disable/Enable .....	10
<b>Storage</b> .....	10
<b>Maintenance Instructions</b>	
Cleaning And Lubrication .....	10
Pressing Attachments .....	11
Required Maintenance At RIDGID Authorized Independent Service Center .....	11
Troubleshooting .....	11-12
Service And Repair .....	12
<b>Optional Equipment</b>	
Jaws .....	12
Battery Pack .....	12
Chargers and Cords .....	13
<b>Disposal</b> .....	13
<b>Clearance Requirements</b> .....	13
<b>Electromagnetic Compatibility (EMC)</b> .....	14
<b>FCC Statement</b> .....	Inside Back Cover
<b>EC Declaration of Conformity</b> .....	Inside Back Cover
<b>Lifetime Warranty</b> .....	Back Cover

\*Original Instructions - English

# RP 115 Press Tool

## RP 115 Press Tool



### **⚠ WARNING!**

Read this Operator's Manual carefully before using this tool. Failure to understand and follow the contents of this manual may result in electrical shock, fire and/or serious personal injury.

**RIDGID**

## Safety Symbols

In this operator's manual and on the product, safety symbols and signal words are used to communicate important safety information. This section is provided to improve understanding of these signal words and symbols.

**⚠ DANGER** DANGER indicates a hazardous situation which, if not avoided, will result in death or serious injury.

**⚠ WARNING** WARNING indicates a hazardous situation which, if not avoided, could result in death or serious injury.

**⚠ CAUTION** CAUTION indicates a hazardous situation which, if not avoided, could result in minor or moderate injury.

**NOTICE** NOTICE indicates information that relates to the protection of property.



This symbol means read the operator's manual carefully before using the equipment. The operator's manual contains important information on the safe and proper operation of the equipment.



This symbol means always wear safety glasses with side shields or goggles while using this equipment to reduce the risk of injury.



This symbol indicates the risk of hands, fingers or other body parts being crushed.



This symbol indicates the risk of electrical shock.



This symbol indicates this electrical equipment meets the requirements of the applicable EC directives.



This symbol indicates this is electrical equipment that should not be disposed of with household waste. See "Disposal" section.



This symbol indicates that the product is Class II equipment.



This symbol indicates that the product is For Indoor Use Only.

## General Power Tool Safety Warnings\*

### ⚠ WARNING

**Read all safety warnings, instructions, illustrations and specifications provided with this power tool. Failure to follow all instructions listed below may result in electric shock, fire and/or serious injury.**

### SAVE ALL WARNINGS AND INSTRUCTIONS FOR FUTURE REFERENCE!

The term "power tool" in the warnings refers to your mains-operated (corded) power tool or battery-operated (cordless) power tool.

### Work Area Safety

- **Keep work area clean and well lit.** Cluttered or dark areas invite accidents.
- **Do not operate power tools in explosive atmospheres, such as in the presence of flammable liquids, gases or dust.**

Power tools create sparks which may ignite the dust or fumes.

- **Keep children and bystanders away while operating a power tool.** Distractions can cause you to lose control.

### Electrical Safety

- **Power tool plugs must match the outlet. Never modify the plug in any way. Do not use any adapter plugs with earthed (grounded) power tools.** Unmodified plugs and matching outlets will reduce risk of electric shock.
- **Avoid body contact with earthed or grounded surfaces, such as pipes, radiators, ranges and refrigerators.** There is an increased risk of electric shock if your body is earthed or grounded.
- **Do not expose power tools to rain or wet conditions.** Water entering a power tool will increase the risk of electric shock.
- **Do not abuse the cord. Never use the cord for carrying, pulling or unplugging**

\* The text used in the general power tool safety warnings section of this manual is verbatim, as required, from the applicable UL/CSA/EN 62841-1 standard. This section contains general safety practices for many different types of power tools. Not every precaution applies to every tool, and some do not apply to this tool.

**the power tool. Keep cord away from heat, oil, sharp edges or moving parts.** Damaged or entangled cords increase the risk of electric shock.

- **When operating a power tool outdoors, use an extension cord suitable for outdoor use.** Use of a cord suitable for outdoor use reduces the risk of electric shock.
- **If operating a power tool in a damp location is unavoidable, use a Ground Fault Circuit Interrupter (GFCI) protected supply.** Use of a GFCI reduces the risk of electric shock.
- **If operating a power tool in a damp location is unavoidable, use a Residual Current Device (RCD) protected supply.** Use of a RCD reduces the risk of electric shock.
- **It is recommended that the tool always be supplied via a Residual Current Device having a residual current of 30mA or less.**

## Personal Safety

- **Stay alert, watch what you are doing and use common sense when operating a power tool. Do not use a power tool while you are tired or under the influence of drugs, alcohol or medication.** A moment of inattention while operating power tools may result in serious personal injury.
- **Use personal protective equipment. Always wear eye protection.** Protective equipment such as dust mask, non-skid safety shoes, hard hat, or hearing protection used for appropriate conditions will reduce personal injuries.
- **Prevent unintentional starting. Ensure the switch is in the OFF-position before connecting to power source and/or battery pack, picking up or carrying the tool.** Carrying power tools with your finger on the switch or energizing power tools that have the switch ON invites accidents.
- **Remove any adjusting key or wrench before turning the power tool ON.** A wrench or a key left attached to a rotating part of the power tool may result in personal injury.
- **Do not overreach. Keep proper footing and balance at all times.** This enables

better control of the power tool in unexpected situations.

- **Dress properly. Do not wear loose clothing or jewelry. Keep your hair, clothing and gloves away from moving parts.** Loose clothes, jewelry or long hair can be caught in moving parts.
- **If devices are provided for the connection of dust extraction and collection facilities, ensure these are connected and properly used.** Use of dust collection can reduce dust-related hazards.
- **Do not let familiarity gained from frequent use of tools allow you to become complacent and ignore tool safety principles.** A careless action can cause severe injury within a fraction of a second.

## Power Tool Use And Care

- **Do not force the power tool. Use the correct power tool for your application.** The correct power tool will do the job better and safer at the rate for which it was designed.
- **Do not use the power tool if the switch does not turn it ON and OFF.** Any power tool that cannot be controlled with the switch is dangerous and must be repaired.
- **Disconnect the plug from the power source and/or remove the battery pack, if detachable, from the power tool before making any adjustments, changing accessories, or storing power tools.** Such preventive safety measures reduce the risk of starting the power tool accidentally.
- **Store idle power tools out of the reach of children and do not allow persons unfamiliar with the power tool or these instructions to operate the power tool.** Power tools are dangerous in the hands of untrained users.
- **Maintain power tools and accessories. Check for misalignment or binding of moving parts, breakage of parts and any other condition that may affect the power tool's operation. If damaged, have the power tool repaired before use.** Many accidents are caused by poorly maintained power tools.
- **Keep cutting tools sharp and clean.** Properly maintained cutting tools with sharp cutting edges are less likely to bind and are easier to control.

- Use the power tool, accessories and tool bits etc. in accordance with these instructions, taking into account the working conditions and the work to be performed. Use of the power tool for operations different from those intended could result in a hazardous situation.
- Keep handles and grasping surfaces dry, clean and free from oil and grease. Slippery handles and grasping surfaces do not allow for safe handling and control of the tool in unexpected situations.

## Battery Tool Use And Care

- Recharge only with the charger specified by the manufacturer. A charger that is suitable for one type of battery pack may create a risk of fire when used with another battery pack.
- Use power tools only with specifically designated battery packs. Use of any other battery packs may create a risk of injury and fire.
- When battery pack is not in use, keep it away from other metal objects, like paper clips, coins, keys, nails, screws or other small metal objects that can make a connection from one terminal to another. Shorting the battery terminals together may cause burns or a fire.
- Under abusive conditions, liquid may be ejected from the battery; avoid contact. If contact accidentally occurs, flush with water. If liquid contacts eyes, additionally seek medical help. Liquid ejected from the battery may cause irritation or burns.
- Do not use a battery pack or tool that is damaged or modified. Damaged or modified batteries may exhibit unpredictable behavior resulting in fire, explosion or risk of injury.
- Do not expose a battery pack or tool to fire or excessive temperature. Exposure to fire or temperature above 265°F (130°C) may cause explosion.
- Follow all charging instructions and do not charge the battery pack or tool outside the temperature range specified in the instructions. Charging improperly or at temperatures outside the specified range may damage the battery and increase the risk of fire.

## Service

- Have your power tool serviced by a qualified repair person using only identical replacement parts. This will ensure that the safety of the power tool is maintained.
- Never service damaged battery packs. Service of battery packs should only be performed by the manufacturer or authorized service providers.

## Specific Safety Information

### ⚠ WARNING

**This section contains important safety information that is specific to this tool.**

**Read these precautions carefully before using the press tools to reduce the risk of electrical shock, or other serious injury.**

### SAVE ALL WARNINGS AND INSTRUCTIONS FOR FUTURE REFERENCE!

A compartment in the tool carrying case is included to keep this manual with the tool for use by the operator.

## Press Tool Safety

- Keep your fingers and hands away from pressing attachments during press cycle. Your fingers or hands can be crushed, fractured or amputated if they become caught between the attachment or between these components and any other object.
- Never attempt to repair damaged pressing attachments. Discard the entire damaged attachment. An attachment that has been welded, ground, drilled or modified in any manner can shatter during pressing resulting in serious injury. Failure to replace the entire pressing attachment may result in component failure and serious injury.
- Large forces are generated during product use that can break or throw parts and cause injury. Stand clear during use and wear appropriate protective equipment, including eye protection.
- Only use RIDGID® Press Tools with appropriate RIDGID or RIDGID approved Pressing attachments. Other uses or modifying the Press Tools for other applica-

tions may damage the press tool, damage the attachments and/or cause personal injury.

- **Use proper tool, attachment and fitting combinations.** Improper combinations can result in an incomplete joint, which increase the risk of leaks, equipment damage and injury.
- **Do not modify tool.** Modifying the tool in any manner may result in personal injury and voidance of the tool's warranty.
- **Before operating a RIDGID® Press Tool, read and understand:**

- This operator's manual
- The battery/charger manual
- The fitting manufacturer's installation instructions
- The instructions for any other equipment or material used with this tool

Failure to follow all instructions and warnings may result in property damage and/or serious injury.

the fitting. The press cycle takes approximately 3 seconds.

A work light turns ON when the trigger/run switch is depressed to illuminate the work area. The head can be rotated 270° for better access in tight spaces.

The tools are supplied with fabric loops that can be used with appropriate attachments such as shoulder straps or tie off lines.

ViegaPEX™ and FostaPEX™ are trademarks of Viega®. PureFlow® and ProPress® are registered trademarks of Viega®. Viega® is a registered trademark of Franz Viegener II GmbH & Company.

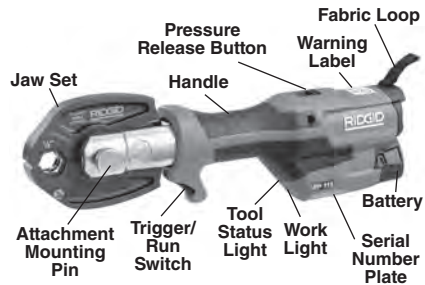


Figure 1 – RIDGID RP 115 Press Tool with Jaw

## RIDGID Contact Information

If you have any question concerning this RIDGID® product:

- Contact your local RIDGID distributor.
- Visit [RIDGID.com](http://RIDGID.com) to find your local RIDGID contact point.
- Contact Ridge Tool Technical Service Department at [rttechservices@emerson.com](mailto:rttechservices@emerson.com), or in the U.S. and Canada call (800) 519-3456.

## Description

The RIDGID® RP 115 Press Tool is designed to be used with RIDGID Mini Series Attachments. Mini Series Jaws are available to mechanically press PureFlow® Fittings for ViegaPEX™ and FostaPEX™ tubing and ProPress fittings for copper and SS tubing. An individual jaw set is required for each size and type of tubing. Jaw sets and press tool must be used perpendicular to the fitting/tube being pressed.

When the run switch on the press tool is depressed, an internal electric motor powers a hydraulic pump which sends fluid into the cylinder of the tool, moving the ram forward and applying force to the attachment, pressing

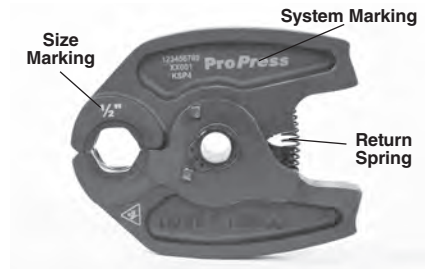


Figure 2 – RIDGID Mini Series Jaw Set

The date code label is located under the battery mounting area. The date code is represented as below:

Example:  
 Batch# 304711  
 Date Code, P = 2020, R = April  
 Tool# 142



**Figure 3 – Date Code Label**

Date code:

Year	Code	Month	Code	Month	Code
2018	M	Jan	N	Jul	V
2019	N	Feb	P	Aug	W
2020	P	Mar	Q	Sep	X
2021	Q	Apr	R	Oct	Y
2022	R	May	S	Nov	Z
2023	S	Jun	T	Dec	1

**Specifications#**

Attachments ..... RIDGID Mini Series (see *Optional Equipment section*)

Stroke Length.... 1.26" (32 mm)

Ram Force ..... 3,400 lbs. (15kN)

**Motor**

Voltage ..... 12V DC Rated

Amperage..... 2.0 A

Power ..... 24 Watts

Head Rotation ... 210°

Duty Cycle..... 3 Press /min.

Power Supply .... 12V Li-ion Rechargeable Battery Pack (RIDGID RB-1200 Series)

Permissible

Humidity ..... 80% maximum

Operating Temperature

Range..... 15° F to 104° F (-10° C to 40° C)

Storage

Temperature ..... 32° F to 113° F (0° C to 45° C)

Weight (no battery/

Attachment)..... 2.9 lbs. (1.3 kg)

Dimensions (no battery/

Attachment)..... 13" x 4.5" x 2.5" (330 mm x 114 mm x 63 mm)

Sound Pressure

(L<sub>PA</sub>)\* ..... < 70 dB(A), K=3 dB(A)

Vibration\* ..... < 2.5 m/s<sup>2</sup>, K=1.5

\* Sound and Vibration measurements are measured in accordance with a standardized test per Standard EN 62481-1.

- Vibration levels may be used for comparison with other tools and for preliminary assessment of exposure.

Control	Marking	Description
Trigger/Run Switch	—	Main tool power switch. Depress to start press cycle/release to stop press cycle. Tool ram will not retract until press cycle is complete. Work light turns on when run switch is depressed and turns off 10 second after switch is released. Work light can be disabled. <i>See Work Light Disable/Enable section.</i>
Pressure Release Button		Allows tool to be released without completing press. If used, press connection is not complete and must be repeated
Attachment Mounting Pin		Holds attachment to tool. Must be fully inserted for tool to operate.

**Figure 4 – Controls Chart**

Light Status	Description
	Battery is inserted, tool undergoes Self Check. Tool is ready to operate.
	Battery low. Tool will not operate. Recharge battery/Insert fully charged battery.
	Tool and/or battery out of Specification temperature range. Tool will not operate. Bring the tool and battery to correct operating temperature range.
	Indicates service interval approaching. Starts after 18,000 cycles, which is 2,000 cycles before completing service interval (20,000 cycles)
	Tool is locked. Tool has completed service interval (20,000 cycles) and requires service. Tool has malfunctioned. Remove and reinsert battery. If still ON, have tool serviced.

**Figure 5 – Tool Status Lights**



- Sound and vibration emissions may vary due to your location and specific use of these tools.
- Daily exposure levels for sound and vibration need to be evaluated for each application and appropriate safety measures taken when needed. Evaluation of exposure levels should consider the time a tool is switched OFF and not in use. This may significantly reduce the exposure level over the total working period.

# All specifications are nominal and may change as design improvements occur.

## Standard Equipment

Refer to the RIDGID catalog for details on equipment supplied with specific tool catalog numbers.

**▲ WARNING** Only use RIDGID Press Tools and RIDGID press tool attachments when specified by the fitting manufacturer for use with their system. Use of incorrect press tools and/or attachments for a system can cause system leaks, damage the press tool or attachment, void warranties or cause severe personal injury.

**NOTICE** Selection of a appropriate materials and joining methods is the responsibility of the system designer and/or installer. Before any installation is attempted, careful evaluation of the specific service environment, including chemical environment and service temperature, should be completed. Consult Press Fitting System manufacturer for selection information.

Contact the fitting manufacturer for specific information on their system, including compatible tubing, materials, installation instructions, minimum distance between fittings, seal material, inspection, testing, etc. Incorrect installation can cause system leaks and extensive property damage.

## Pre-Operation Inspection

### ▲ WARNING



**Daily before use, inspect your press tool and attachments. Correct any problems to reduce the risk of serious injury from electric shock, crushing injuries, attachment failure and other causes, and prevent tool damage.**

1. Remove battery from tool.

2. Clean any oil, grease or dirt from the equipment, especially the handles and controls. This aids inspection and helps to prevent the tool or controls from slipping from your grip.

3. Inspect the press tool for:
  - Proper assembly, maintenance and completeness.
  - Any broken, worn, missing, misaligned or binding parts. Confirm fabric loops are in good condition.
  - Smooth movement of attachment mounting pin between the fully open and fully closed position. Pin should lock into each position. Confirm that the run switch moves freely and does not bind or stick.
  - Presence and readability of warning label (*Figure 1 or 6*).
  - Any other condition which may prevent safe and normal operation.

Do not use the press tool until problems have been repaired.



Figure 6 – Warning Label

4. Inspect the attachments:
  - Closely inspect all attachments for any cracked, broken, worn, missing, misaligned or binding parts or any other sign of damage that may prevent proper and safe operation. Damaged parts can cause the attachment to make incorrect pressed connections or fail during use and cause serious injury or property damage. If any damage is found, the attachment should be discarded and replaced.

**▲ WARNING** Always discard the complete pressing attachment. Never replace individual components or exchange parts between assemblies. Failure to replace the entire assembly may result in component failure and serious injury.

Do not modify pressing attachments or use modified attachments. A pressing attachment component that has been welded, ground, drilled or modified in any manner can shatter during pressing, resulting in sharp flying objects, severe injury or death. Discard and replace damaged pressing attachments.

- Inspect the attachment markings to make sure that it is clearly marked as to the system and size that it is appropriate for. Do not use an attachment that is not clearly marked.
  - Inspect the press profile of the attachment. If it is rusty, dirty or if there is a buildup of fitting material, clean as described in the Maintenance section. It is important to keep the press profile clean to prevent the formation of burrs during pressing process, prevent the attachment from sticking to the fitting and making sure that a proper press connection is made.
  - Make sure that springs are intact and bias the attachment in the closed direction. Attachment should cycle freely from the fully open to fully closed position. If needed, lubricate pivot points with a light lubricating oil. Wipe any excess oil from the attachment.
5. Inspect and maintain any other equipment being used per its instructions to make sure it is functioning properly.

**combinations. Improper combinations can result in an incomplete press connection, which increases the risk of leaks, equipment damage and injury.**

**Follow Set-up and Operation to reduce the risk of injury from crushing and other causes and to prevent tool damage.**

1. Confirm appropriate work area (See *General Power Tool Safety Warnings*). Operate in a clear, level, stable, dry location. Do not use tool while standing in water.
2. Inspect the work to be done and determine the correct RIDGID tool and RIDGID attachment for the application per their specifications. Using incorrect equipment for an application can cause injury, damage the tool and make incomplete connections.
3. Confirm all equipment has been inspected and set up as directed in their instructions.

### Removing/Installing Attachment

- a. Remove battery from tool.
- b. Open the attachment mounting pin:
  1. Slightly push the attachment mounting pin.
  2. Twist counterclockwise by about 45° to open.
- c. Remove/insert the appropriate attachment (*Figure 7*).

## Set-Up and Operation

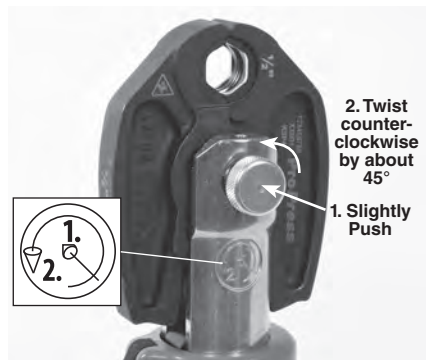
### ⚠ WARNING



**Keep your fingers and hands away from the tool attachment during the press cycle. Your fingers or hands can be crushed, fractured or amputated in the attachment, tool, between the tool and attachment, work piece and other objects.**

**Large forces are generated during product use that can break or throw parts and cause injury. Stand clear during use and wear appropriate protective equipment, including eye protection.**

**Use proper tool, attachment and fitting**



**Figure 7 – Opening The Attachment Mounting Pin**

- d. Push to fully close the attachment mounting pin until it locks into the closed position. Attachment mounting pin must be

fully closed to prevent tool damage during use.

**NOTE:** Do not operate tool without the attachment in place, this can damage the tool.

## Preparing Connection

**NOTICE** These instructions are generalized practices for several types of press tool attachments. Always follow the specific instructions for the press tool attachment being used and the fitting manufacturer's specific installation instructions to reduce the risk of improper press connections and extensive property damage.

1. Prepare the press connection according to the fitting manufacturer's instructions.
2. With dry hands, insert a fully charged battery into tool.

## Pressing A Fitting

1. Squeeze jaw arms to open jaws.

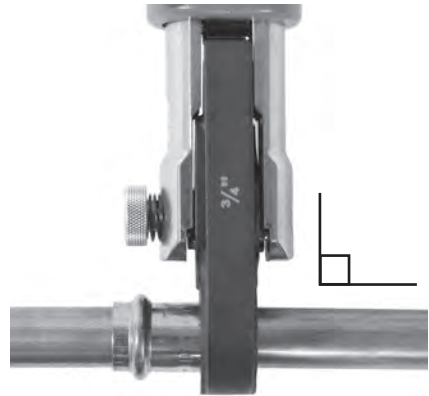


**Figure 8 – Opening Jaw**

2. Place open jaws around fitting (*Figure 9*). Properly align jaw press profile with contour of the fitting as specified in Fitting Manufacturer's Installation Instructions. Release jaw arms to close jaws around fitting. Do not hang jaw set from fitting. Tool could unexpectedly drop and cause serious injury or death.



**Figure 9 – Placing Jaws Around Fitting**



**Figure 10 – Jaws Square to Fitting**

3. Confirm jaw is appropriately placed and square to fitting. Keep fingers and hands away from the jaws to avoid crushing injuries in jaws or between jaws and surroundings.

Depress the trigger/run switch. The tool cycle begins and the rollers contact the jaw arms and complete the cycle. Continue to press the trigger/run switch until the ram automatically retracts. Automatic ram retraction indicates that the tool has reached the appropriate force and the cycle is complete. This is required to ensure the complete connection.

If tool must be removed before a connection is completed, release the trigger/run switch, depress the pressure release button (*Figure 1*). Any time release button is depressed, press is NOT complete and the connection must be pressed again to ensure completion. If the tool malfunctions during operation, use this procedure.



**Figure 11 – Pressing the Fitting**

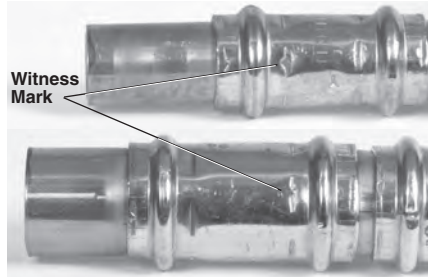
4. Release the trigger/run switch.
5. Squeeze jaw arms to open jaws.
6. Remove jaw from fitting. Avoid sharp edges that may have formed on fitting during pressing operation.
7. When operation is complete, remove battery from tool.

## Inspecting The Pressed Connection

1. Inspect the pressed fitting for:
  - Full insertion of tube into fitting.
  - Excessive misalignment of the tubes. A slight amount of misalignment at a press connection is considered normal.
  - Incorrect attachment alignment with the fitting contour. Distorted or deformed fitting.
  - Any other issues per the fitting manufacturer. This could include the removal of a control ring or decal (used to indicate the connection has not yet been pressed).

If any issues are found, remove fitting and install a new press connection.

2. If inspecting ProPress fittings, check and confirm the presence of the ProPress witness mark in one of the hex flats (See *Figure 12*). This unique mark confirms that the proper RIDGID Jaw set, designed specifically for the ProPress Fitting System was used to make the pressed connection. This witness mark is a trademark of the Ridge Tool Company. Absence of the witness mark may invalidate the system manufacturer's warranty.



**Figure 12 – ProPress Witness Mark**

3. Test the press connection in accordance with connector manufacturer instructions, normal practice and applicable codes.

## Work Light Disable/Enable

- To disable work light, depress run switch and remove battery from tool.
- To enable work light, with the battery removed, depress run switch and insert battery into tool.

## Storage

Remove battery from the press tool. Store press tool, attachments and battery in case. Avoid storing in extreme heat or cold. The tool will not turn ON if the tool is outside the specification range.

**⚠ WARNING** Store tool in a dry, secured, locked area that is out of reach of children and people unfamiliar with the press tool. The tool is dangerous in the hands of untrained users.

## Maintenance Instructions

### **⚠ WARNING**

**Make sure the battery is removed from tool before performing maintenance or making any adjustment.**

**Do not open the tool or battery.** It contains no user-serviceable parts.

## Cleaning And Lubrication

1. Wipe the tool clean daily with a clean dry cloth.
2. Inspect the attachment mounting pin and lubricate the pin with silicone lubricant as needed.

### Pressing Attachments

1. Inspect the press profile daily (*Figure 13*). If rusty, dirty or if there is evidence of fitting material building up on the inside diameter, clean with fine grade Scotch-Brite® (Scotch-Brite® is a registered trademark of 3M Company) metal polishing pads (or equivalent), steel wool or a steel bristle wire brush.

**NOTICE** Do not clean pressing profile with aggressive abrasive materials or methods, such as emery cloth, sandpaper, grinding wheels or rotary files. These methods may alter critical pressing profile dimensions and cause improper pressed connections that can lead to extensive property damage.

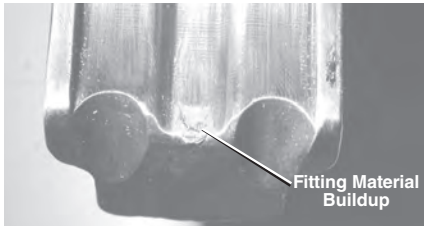


Figure 13 – Fitting Material Build-Up Requiring Jaw Cleaning

2. Pivot pins and moving points should be cleaned and lubricated at least once a month with a lightweight general purpose lubricating oil.
3. Check return springs with each use. Jaws should open and close freely with only moderate finger effort required.

### Required Maintenance At RIDGID Authorized Independent Service Center

After 18,000 cycles, the status light will start blinking to indicate that it is time for maintenance and recalibration. The tool will not run if it is not serviced within 2,000 more cycles (20,000 total) after the status light starts blinking.

### Troubleshooting

PROBLEM	POSSIBLE REASON	SOLUTION
Tool will not turn ON when trigger/run switch is pressed.	Battery is completely discharged or battery has failed. Battery not properly inserted into handle of tool.	Insert fully charged battery/replace battery. Check to assure battery is fully inserted.
Attachment is locked onto fitting.	Press connection was not successfully completed.	Push pressure release button to remove jaws from fitting. Inspect and re-press fitting.
The pressed connections produced are not complete.	Used wrong jaw for the tube size or material. The tool was not square to the tube. Attachment press contour was not aligned with the fitting contour. Tool is in need of repair.	Install the correct attachment. Redo the press connection with new fitting and new tube. Make sure that the tool is square to the tube. Redo the joint with new tube and new fitting. Make sure the attachment press contour is aligned with the fitting contour. See <i>Contact Information</i> for nearest RIDGID Authorized Independent Service center.

**Troubleshooting (Cont.)**

PROBLEM	POSSIBLE REASON	SOLUTION
Excessively large or sharp fins present at press joint parting line where jaw tips come together.	Fitting material build up in the contoured profile area near jaw tips.  Excessively worn or damaged jaws.	Clean jaw in the contoured area using metal polishing pads such as Scotch-Brite®. Refer to Maintenance Section for instructions.  Discard jaws and replace with new RIDGID jaw set.
Jaws stick to fitting excessively after completing press joint.	Fitting material build up in the contoured profile area near jaw tips.	Clean jaw in the contoured area using metal polishing pads such as Scotch-Brite®. Refer to Maintenance Section for instructions.
Oil leaks from tool.	Seal or mechanical problems.	
Motor runs but tool will not complete a cycle.	Oil level low	See Contact Information for nearest RIDGID Authorized Independent Service center.
Tool stops during operation.	Oil level low	

See Figure 5 for Tool Status Lights.

**Service And Repair**

**⚠ WARNING**

**Improper service or repair can make machine unsafe to operate.**

Service and repair on the RP 115 Press Tool must be performed by a RIDGID Authorized Independent Press Tool Service Center.

For information on your nearest RIDGID Authorized Independent Press Tool Service Center or any service or repair questions see Contact Information section in this manual.

**Optional Equipment**

**⚠ WARNING**

**To reduce the risk of injury, only use equipment specifically designed and recommended for use with the RP 115 Press Tool, such as listed below.**

Catalog No.	Description
75338	Carry Case, RP 115

**Jaws**

Catalog No.	Description	Weight
72563	½" Mini PureFlow Jaw	2.2 lbs. (1 kg)
72568	¾" Mini PureFlow Jaw	2.2 lbs. (1 kg)
72578	½" Mini ProPress Jaw	2.2 lbs. (1 kg)
72583	¾" Mini ProPress Jaw	2.2 lbs. (1 kg)

**Battery Pack**

Catalog No.	Description	Capacity
55183	RB-1225R	10.8V (2.5Ah)

Battery will work with any catalog number RBC-121 Battery Charger.

### Chargers and Cords

Catalog No.	Description	Region	Plug Type
55193	Charger	USA, Canada and Mexico	A
55198	Charger	Europe	C
55203	Charger	China	A
55208	Charger	Australia & Latin America	I
55213	Charger	Japan	A
55218	Charger	United Kingdom	G
44798	Charger Cord	North America	A
44808	Charger Cord	Europe	C
44803	Charger Cord	China	A
44813	Charger Cord	Australia & LA	I
44818	Charger Cord	Japan	A
44828	Charger Cord	United Kingdom	G

For a complete listing of RIDGID® optional equipment available for this tool, see the *Ridge Tool Catalog online at RIDGID.com or see Contact Information.*

### Disposal

Parts of these tools contain valuable materials and can be recycled. There are companies that specialize in recycling that may be found locally. Dispose of the components in compliance with all applicable regulations. Contact your local waste management authority for more information

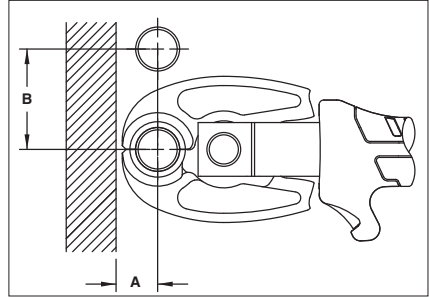


**For EC Countries:** Do not dispose of electrical equipment with household waste!

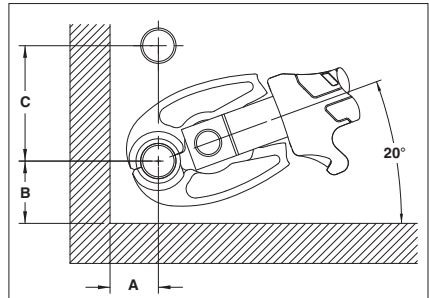
According to the European Guideline 2012/19/EU for Waste Electrical and Electronic Equipment and its implementation into national legislation, electrical equipment that is no longer usable must be collected separately and disposed of in an environmentally correct manner.

### Clearance Requirements

The following figures illustrate the clearance requirements for the jaws and fittings.



System	Tube Dia.	A (min.)		B (min.)	
		Inches	mm	Inches	mm
ProPress	1/2"	7/8	23	2 1/8	54
	3/4"	1	26	2 1/2	64
PureFlow	1/2"	3/4	19	2	51
	3/4"	1 1/8	29	2 1/4	57



System	Tube Dia.	A (min.)		B (min.)		C (min.)	
		Inches	mm	Inches	mm	Inches	mm
ProPress	1/2"	7/8	23	1 5/8	41	2 3/4	70
	3/4"	1 1/8	29	2 3/4	45	2 7/8	73
PureFlow	1/2"	7/8	23	1 5/8	41	2 1/2	64
	3/4"	1 1/4	32	1 3/4	45	2 3/4	70

## Electromagnetic Compatibility (EMC)

The term electromagnetic compatibility is taken to mean the capability of the product to function smoothly in an environment where electromagnetic radiation and electrostatic discharges are present and without causing electromagnetic interference to other equipment.

**NOTICE** These tools conform to all applicable EMC standards. However, the possibility of them causing interference in other devices cannot be precluded. All EMC related standards that have been tested are called out in the tool's technical document.



## Outil de sertissage RP 115



### **⚠ AVERTISSEMENT!**

Lisez soigneusement ce manuel avant d'utiliser cet outil. Le non-respect des consignes qu'il contient augmenterait les risques de choc électrique, d'incendie et/ou de graves blessures corporelles.

**RIDGID**<sup>®</sup>

## Table des matières

<b>Symboles de sécurité</b> .....	17
<b>Consignes générales de sécurité applicables aux appareils électriques*</b>	
Sécurité des lieux .....	17
Sécurité électrique.....	17
Sécurité individuelle.....	18
Utilisation et entretien de l'appareil.....	19
Utilisation et entretien de la batterie.....	19
Entretien .....	19
<b>Consignes de sécurité spécifiques</b>	
Sécurité de l'outil de sertissage.....	20
<b>Informations de contact RIDGID®</b> .....	20
<b>Description</b> .....	21
<b>Caractéristiques techniques</b> .....	21
Équipement standard.....	23
<b>Inspection préalable de l'appareil</b> .....	23
<b>Préparation et fonctionnement</b> .....	24
Retrait/installation de l'accessoire.....	25
Préparation du raccordement.....	25
Sertissage d'un raccord.....	25
Inspection du sertissage du raccordement.....	26
Désactivez/activez le voyant de travail .....	27
<b>Entreposage</b> .....	27
<b>Consignes de maintenance</b>	
Nettoyage et lubrification.....	27
Accessoires de sertissage.....	27
Entretien obligatoire au centre de service indépendant agréé RIDGID .....	28
Dépannage .....	28-29
Entretien et réparations.....	29
<b>Accessoires en option</b>	
Mâchoires .....	29
Blocs-batteries .....	29
Chargeurs et cordons .....	29
<b>Recyclage</b> .....	30
<b>Exigences en matière d'espace</b> .....	30
<b>Compatibilité électromagnétique (CEM)</b> .....	30
<b>Enoncé FCC</b> .....	recto de page de garde
<b>Déclaration de conformité CE</b> .....	recto de page de garde
<b>Garantie à vie</b> .....	Page de garde

\*Traduit de l'anglais

## Symboles de sécurité

Des symboles et mots clés spécifiques, utilisés à la fois dans ce mode d'emploi et sur l'appareil lui-même, servent à signaler d'importants risques de sécurité. Ce qui suit permettra de mieux comprendre la signification de ces mots clés et symboles.

**⚠ DANGER** Le terme DANGER signifie une situation dangereuse potentielle qui, faute d'être évitée, entraînera de graves blessures corporelles, voire la mort.

**⚠ AVERTISSEMENT** Le terme AVERTISSEMENT signifie une situation dangereuse potentielle qui, faute d'être évitée, serait susceptible d'entraîner de graves blessures corporelles, voire la mort.

**⚠ CAUTION** Le terme CAUTION signifie une situation dangereuse potentielle qui, faute d'être évitée, serait susceptible d'entraîner des blessures corporelles légères ou modérées.

**AVIS IMPORTANT** Le terme AVIS IMPORTANT indique des informations concernant la protection des biens.



Ce symbole indique la nécessité de bien se familiariser avec le manuel d'utilisation avant d'utiliser ce matériel. Le manuel d'utilisation renferme d'importantes informations concernant la sécurité d'utilisation du matériel.



Ce symbole indique le port obligatoire de lunettes de sécurité intégrales lors de la manipulation ou utilisation du matériel afin d'éviter tout risque de lésions oculaires.



Ce symbole indique un risque d'écrasement des mains, doigts ou autres organes corporels.



Ce symbole signale un risque de choc électrique.



Ce symbole indique que l'équipement électrique est conforme aux exigences des directives CE applicables.



Ce symbole indique qu'il s'agit d'équipements électriques qui ne doivent pas être éliminés avec les déchets ménagers. Voir la section *Recyclage*.



Ce symbole indique que le produit est un équipement de Classe II.



Ce symbole indique que le produit est réservé à une utilisation en intérieur.

## Consignes générales de sécurité applicables aux appareils électriques\*

### ⚠ AVERTISSEMENT

**Familiarisez-vous avec l'ensemble des consignes de sécurité et d'utilisation, les graphiques et caractéristiques techniques du manuel fourni avec l'appareil. Le non-respect de l'ensemble des consignes suivantes augmenterait les risques de choc électrique, d'incendie et/ou de grave blessure corporelle.**

### CONSERVEZ L'ENSEMBLE DE CES CONSIGNES POUR FUTURE RÉFÉRENCE!

Le terme « appareil électrique » utilisé dans les consignes de sécurité s'applique à la fois aux appareils électriques fonctionnant sur secteur (filaire) ou sur batterie (sans fil).

## Sécurité des lieux

- Assurez-vous de la propreté et du

bon éclairage des lieux. Les chantiers encombrés ou mal éclairés sont une invitation aux accidents.

- **N'utilisez pas d'outils électriques en présence de substances volatiles telles que liquides, gaz ou poussières combustibles.** Les outils électriques produisent des étincelles susceptibles d'enflammer les poussières et émanations combustibles.
- **Éloignez les enfants et les curieux lors de l'utilisation d'un outil électrique.** Les distractions risquent de vous faire perdre le contrôle de l'appareil.

## Sécurité électrique

- **Les fiches des outils électriques doivent correspondre à la prise de courant. Ne modifiez jamais la fiche de quelque façon que ce soit. N'utilisez jamais d'adaptateur sur un appareil électrique avec terre.** L'emploi de fiches non modifiées et de prises appropriées limitera les risques de choc électrique.

\* Le texte utilisé dans les « Consignes générales de sécurité applicables aux appareils électriques » de ce manuel est obligatoirement tiré directement de la norme UL/SCA/EN 62841-1 applicable. Cette section présente les pratiques générales de sécurité pour de nombreux types d'outils électriques différents. Les précautions indiquées ne sont pas toutes applicables à chaque type d'appareil, et certaines ne s'appliquent pas à celui-ci.

- **Évitez tout contact avec des objets reliés à la terre tels que canalisations, radiateurs, cuisinières et réfrigérateurs.** Tout contact avec la terre augmente les risques de choc électrique.
- **Évitez tout contact avec des objets reliés à la terre tels que canalisations, radiateurs, cuisinières et réfrigérateurs.** Tout contact avec la terre augmente les risques de choc électrique.
- **N'exposez pas l'appareil à la pluie ou aux intempéries.** Toute pénétration d'eau à l'intérieur d'un appareil électrique augmente les risques de choc électrique.
- **Ne maltraitez pas le cordon d'alimentation de l'appareil. N'utilisez jamais le cordon pour transporter, tirer ou débrancher l'outil électrique. Éloignez le cordon d'alimentation des sources de chaleur, de l'huile, des objets tranchants et des mécanismes.** Les cordons d'alimentation endommagés ou entortillés augmentent les risques de choc électrique.
- **Lors de l'utilisation d'un outil électrique à l'extérieur, prévoyez une rallonge électrique appropriée.** Les rallonges électriques prévues pour un usage extérieur réduisent les risques de choc électrique.
- **Si l'utilisation d'un outil électrique dans un lieu humide est inévitable, prévoyez une alimentation équipée d'un disjoncteur différentiel.** L'utilisation d'un disjoncteur différentiel limite les risques de choc électrique.
- **Si l'utilisation d'un outil électrique dans un lieu humide est inévitable, prévoyez une alimentation protégée par un dispositif à courant résiduel.** L'utilisation d'un dispositif à courant résiduel limite les risques de choc électrique.
- **Il est recommandé que l'outil soit toujours alimenté par un dispositif à courant résiduel ayant un courant résiduel de 30 mA ou moins.**

## Sécurité individuelle

- **Soyez attentif et faites preuve de bon sens lors de l'utilisation de tout outil électrique. N'utilisez pas d'outil électrique lorsque vous êtes sous l'influence de drogues, de l'alcool ou de médicaments.** Lors de l'utilisation d'un appareil électrique, un instant d'inattention

risque d'entraîner de graves lésions corporelles.

- **Prévoyez les équipements de protection individuelle appropriés. Portez systématiquement une protection oculaire.** Les équipements protecteurs tels qu'un masque anti-poussière, des chaussures de sécurité antidérapantes, un casque ou une protection auditive utilisés dans des conditions appropriées réduisent les risques de blessure.
- **Évitez les démarrages accidentels. Assurez-vous que l'interrupteur se trouve en position « arrêt » (OFF) avant de brancher l'appareil, et/ou le bloc-batterie, de ramasser ou de transporter l'outil.** Le fait de porter un appareil électrique avec son doigt sur la gâchette ou de l'alimenter lorsque son interrupteur est en position « marche » est une invitation aux accidents.
- **Retirez toute clé ou dispositif de réglage éventuel avant de mettre l'appareil en marche.** Une clé ou tout autre dispositif de réglage engagé sur un élément mécanique pourrait provoquer un accident.
- **Ne vous mettez pas en porte-à-faux. Maintenez un bon appui et un bon équilibre à tout moment.** Cela assurera un meilleur contrôle de l'appareil en cas d'imprévu.
- **Habillez-vous de manière appropriée. Ne portez ni vêtements flottants, ni bijoux. Éloignez vos cheveux, vos vêtements et vos gants des mécanismes.** Les foulards, les bijoux et les cheveux longs risquent d'être entraînés par les mécanismes en rotation.
- **Si des dispositifs sont prévus pour le raccordement d'installations d'extraction et de collecte des poussières, assurez-vous qu'ils sont raccordés et utilisés correctement.** Les récupérateurs de poussière aident à limiter les risques d'inhalations dangereuses.
- **Ne laissez pas la familiarité issue de l'utilisation fréquente d'un appareil vous plonger dans la complaisance au point de négliger les principes de sécurité de base.** Le moindre faux pas peut se transformer en accident grave dans une fraction de seconde.

## Utilisation et entretien de l'appareil

- **Ne forcez pas l'appareil.** Prévoyez l'appareil le mieux adapté aux travaux envisagés. Un appareil adapté produit de meilleurs résultats et assure un meilleur niveau de sécurité lorsqu'il fonctionne au régime prévu.
- **N'utilisez pas d'appareil électrique dont l'interrupteur marche/arrêt ne fonctionne pas correctement.** Tout appareil qui ne peut pas être contrôlé par son interrupteur est considéré dangereux et doit être réparé.
- **Débranchez l'appareil et/ou retirez son bloc-batterie avant tout réglage, remplacement d'accessoires ou stockage.** De telles mesures préventives aideront à limiter les risques de démarrage accidentel de l'appareil.
- **Rangez tout appareil non utilisé hors de portée des enfants.** L'utilisation de cet appareil doit être exclusivement réservée à un personnel compétent. Ce type d'appareil peut s'avérer dangereux entre les mains d'un novice.
- **Assurez l'entretien approprié de l'appareil et de ses accessoires.** Assurez-vous de l'absence d'éléments grippés ou endommagés, voire toute autre anomalie susceptible de nuire au bon fonctionnement et à la sécurité de l'appareil. Ne pas utiliser d'appareil endommagé avant sa réparation. De nombreux accidents sont le résultat d'appareils électriques mal entretenus.
- **Vérifiez l'affûtage et la propreté des outils de coupe.** Des outils de coupe correctement entretenus et affûtés sont moins susceptibles de se gripper et sont plus faciles à contrôler.
- **Utilisez cet outil électrique, ses accessoires, ses mèches, etc. selon les consignes ci-présentes, tout en tenant compte des conditions d'intervention et du type de travail envisagé.** L'emploi d'un outil électrique à des fins autres que celles prévues pourrait entraîner une situation dangereuse.
- **Assurez la parfaite propreté de poignées et autres points de prise-en-main de l'appareil (absence d'huile et de graisse).** Des poignées et points de prise-en-main encrassés ne permettront

pas de manipuler et contrôler l'appareil de manière appropriée en cas d'imprévu.

## Utilisation et entretien de la batterie

- **Rechargez la batterie uniquement avec le chargeur spécifié par le fabricant.** Un chargeur adapté à un type de bloc-batterie pourrait créer un risque d'incendie lorsqu'il est utilisé avec un autre bloc-batterie.
- **Utilisez des outils électriques uniquement avec des blocs-batteries spécifiquement désignés.** L'utilisation de tout autre bloc-batterie pourrait créer un risque de blessures et d'incendie.
- **Lorsque le bloc-batterie n'est pas utilisé, éloignez-le des autres objets métalliques, tels que des pinces à papier, des pièces de monnaie, des clés, des clous, des vis ou d'autres objets métalliques de petite taille qui peuvent être connectés d'une borne à une autre.** Le fait de court-circuiter les bornes de la batterie ensemble peut provoquer des brûlures ou un incendie.
- **Dans des conditions abusives, du liquide peut être éjecté de la batterie ; évitez tout contact.** En cas de contact accidentel, rincez à l'eau. Si le liquide entre en contact avec les yeux, consultez un médecin. Le liquide éjecté de la batterie peut provoquer des irritations ou des brûlures.
- **Évitez d'utiliser un bloc-batterie ou un outil endommagé ou modifié.** Les batteries endommagées ou modifiées peuvent se comporter de façon imprévisible et entraîner un incendie, une explosion ou un risque de blessure.
- **Évitez d'exposer un bloc-batterie ou un outil au feu ou à une température excessive.** L'exposition à un incendie ou à une température supérieure à 130 °C (265 °F) peut provoquer une explosion.
- **Suivez toutes les instructions de charge et ne chargez pas le bloc-batterie ou l'outil en dehors de la plage de température spécifiée dans les instructions.** Une charge incorrecte ou à des températures en dehors de la plage spécifiée peut endommager la batterie et augmenter le risque d'incendie.

## Entretien

- **Confiez l'outil électrique à un réparateur qualifié.**

teur qualifié utilisant exclusivement des pièces de rechange identiques. Cela permet de garantir la sécurité de l'outil électrique.

- **N'effectuez jamais l'entretien de blocs-batteries endommagés.** L'entretien des blocs-batteries ne doit être effectué que par le fabricant ou des prestataires de services agréés.

## Consignes de sécurité spécifiques

### ⚠ AVERTISSEMENT

**Cette section contient d'importantes informations sur ce type d'appareil particulier.**

**Afin de limiter les risques de choc électrique et autres lésions corporelles graves, familiarisez-vous avec celles-ci avant d'utiliser les outils de sertissage.**

### **CONSERVEZ L'ENSEMBLE DE CES CONSIGNES POUR FUTURE RÉFÉRENCE!**

Un compartiment permettant de ranger ce manuel avec l'outil à des fins utiles pour l'opérateur est inclus dans le coffret de transport de l'outil.

## Sécurité de l'outil de sertissage

- **Tenez vos doigts et vos mains à l'écart des accessoires de sertissage pendant le fonctionnement de l'outil.** Vos doigts ou mains risquent d'être écrasés, fracturés ou amputés s'ils sont pris entre l'accessoire ou entre ces composants et tout autre objet.
- **Ne tentez jamais de réparer les accessoires de sertissage endommagés. Mettez au rebut l'accessoire endommagé dans son intégralité.** Un accessoire soudé, mis à la terre, percé ou modifié de quelque manière que ce soit peut se briser lors du sertissage, et entraîner des blessures graves. Le non-remplacement de l'accessoire de sertissage complet peut entraîner une défaillance des composants et des blessures graves.
- **De grandes forces sont générées lors de l'utilisation du produit; celles-ci peuvent casser ou projeter des pièces et provoquer des blessures.** Restez à l'écart pendant l'utilisation et portez un

équipement de protection approprié, notamment une protection oculaire.

- **Utilisez uniquement des outils de sertissage RIDGID® avec des accessoires RIDGID appropriés ou homologués par RIDGID.** D'autres utilisations ou modification des outils de sertissage pour d'autres applications peuvent endommager l'outil de sertissage, endommager les accessoires et/ou causer des blessures.
- **Utilisez des combinaisons d'outils, d'accessoires et de raccords appropriés.** Une mauvaise combinaison peut entraîner un raccordement incomplet, ce qui augmente le risque de blessures, de fuites et de dommages matériels.
- **Ne modifiez pas l'outil.** Toute modification de l'outil peut entraîner des blessures et annuler la garantie de l'outil.
- **Avant toute utilisation d'un outil de sertissage RIDGID® lisez attentivement :**
  - Ce manuel d'utilisation
  - Le manuel de la batterie/chargeur
  - Les instructions d'installation du fabricant du raccord
  - Instructions relatives à tout autre équipement ou matériel utilisé avec cet outil

Le non-respect de toutes les instructions et avertissements peut entraîner des dommages matériels et/ou des blessures graves.

## Informations de contact RIDGID

Pour toute question concernant ce produit RIDGID® :

- Consultez votre distributeur RIDGID.
- Consultez le site RIDGID.com afin de localiser le représentant RIDGID le plus proche.
- Consultez les services techniques de Ridge Tool par courriel à l'adresse suivante : [rttechservices@emerson.com](mailto:rttechservices@emerson.com), ou en composant le (800) 519-3456 (à partir des États-Unis ou du Canada exclusivement).

## Description

L'outil de sertissage RIDGID® RP 115 est conçu pour être utilisé avec les accessoires de la série RIDGID Mini. Les mâchoires de la série Mini sont destinées au sertissage mécanique des raccords PureFlow® pour tubes ViegaPEX™ et FostaPEX™ et des raccords ProPress pour tubes en cuivre et en acier inoxydable. Un jeu de mâchoires individuel est nécessaire pour chaque taille et type de tubulure. Les jeux de mâchoires et l'outil de presse doivent être utilisés perpendiculairement au sertissage du raccord/tube.

Lorsque l'interrupteur de marche de l'outil de sertissage est enfoncé, un moteur électrique interne alimente une pompe hydraulique qui transmet le liquide dans le vérin de l'outil, déplaçant le piston vers l'avant et exerçant une force sur l'accessoire pour sertir le raccord. Le sertissage dure environ 3 secondes.

Un voyant de travail s'allume lorsque le commutateur de déclenchement/de marche est enfoncé pour éclairer la zone de travail. La tête peut être tournée de 270° pour un meilleur accès dans les espaces restreints.

Les outils sont fournis avec des boucles en tissu qui peuvent être utilisées avec des accessoires appropriés tels que des bandoulières ou des lignes d'attache.

ViegaPEX™ et FostaPEX™ sont des marques commerciales de Viega®. PureFlow® et ProPress® sont des marques déposées de Viega®. Viega® est une marque déposée de Franz Viegenger II GmbH & Company.

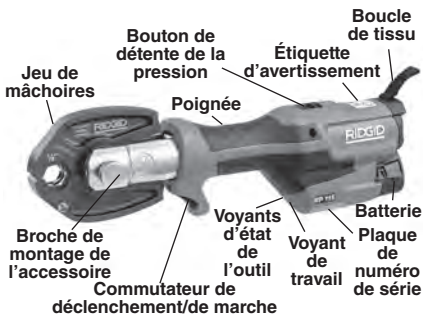


Figure 1 – Outil de sertissage RIDGID RP 115 avec mâchoire

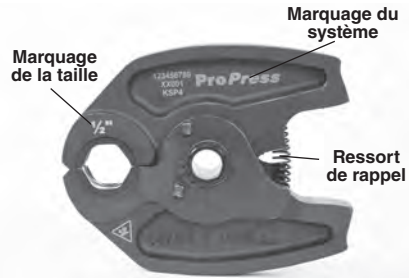


Figure 2 – Jeu de mâchoires RIDGID série Mini

L'étiquette du code de date se trouve sous la zone de montage de la batterie. Le code de date est représenté comme suit :

Exemple :

N° lot 304711

Code de date, P = 2020,

R = Avril

Outil n° 142

304711  
PR  
142

Figure 3 – Étiquette de code de date

Code date :

Année	Code	Mois	Code	Mois	Code
2018	M	Jan	N	Juil	V
2019	N	Fév	P	Août	W
2020	P	Mar	Q	Sep	X
2021	Q	Avr	R	Oct	Y
2022	R	Mai	S	Nov	Z
2023	S	Juin	T	Déc	1

## Spécifications\*

Accessoires..... Série RIDGID Mini (voir la section Accessoires en option)

Longueur de course..... 32 mm (1,26 po)

Force de piston..... 15kN (3 400 lbs)

Moteur

Tension..... Tension nominale de 12 Vcc

Intensité..... 2,0 A

Puissance..... 24 W.

Rotation de la tête..... 210°

Cycle de service..... 3 pressions /min.

Alimentation ..... Bloc-batterie rechargeable li-ion 12 V (série RIDGID RB-1200)

Humidité admissible ..... 80 % maximum

Fonctionnement Plage de températures ..... -10 °C à 40 °C  
(15 °F à 104 °F)

Température de stockage ..... 0 °C à 45 °C  
(32 °F à 113 °F)

Poids (sans batterie/  
Accessoire) ..... 1,3 kg (2.9 lbs.)

Dimensions (sans batterie/  
Accessoire) ..... 330 mm x 114 mm x 63 mm  
(13 po x 4,5 po x 2,5 po)

Pression sonore  
(L<sub>PA</sub>)\* ..... < 70 dB(A), K=3 dB(A)

Vibrations\* ..... < 2,5 m/s<sup>2</sup>, K=1,5

\* Les mesures du son et des vibrations sont effectuées conformément à un test normalisé selon la norme EN 62481-1.

- Les niveaux de vibration peuvent être utilisés pour la comparaison avec d'autres outils et pour l'évaluation préliminaire de l'exposition.
- Les niveaux sonores produits peuvent varier selon la localisation et l'utilisation spécifique de ces appareils.
- Les niveaux d'exposition quotidienne au bruit et aux vibrations doivent être évalués en fonction de

chaque application afin d'établir les mesures de protection éventuellement nécessaires. L'évaluation des niveaux d'exposition doit prendre en compte les temps morts durant lesquels l'appareil est éteint et non utilisé. Cela peut réduire les taux d'exposition au cours d'une période de travail donnée de manière considérable.

# Toutes les spécifications sont nominales et peuvent changer au fur et à mesure de l'amélioration de la conception.



Contrôle	Marquage	Description
Commutateur de déclenchement/de marche	—	Commutateur d'alimentation de l'outil principal. Appuyez pour démarrer le cycle de sertissage/relâchez pour arrêter le cycle de sertissage. Le piston de l'outil ne se rétracte pas tant que le cycle de sertissage n'est pas terminé. Le voyant de travail s'allume lorsque la touche du commutateur de marche est enfoncée et s'éteint 10 secondes après le déclenchement du commutateur. Le voyant de travail peut être désactivé. Voir la section <i>Désactiver/Activer le voyant de travail</i> .
Bouton de déteinte de la pression		Permet de libérer l'outil sans avoir terminé le sertissage. Si cette fonction est utilisée, le sertissage n'est pas terminé et doit être répété.
Broche de montage de l'accessoire		Maintient l'accessoire sur l'outil. Doit être entièrement inséré pour que l'outil fonctionne.

Figure 4 – Tableau des contrôles





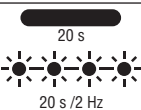
État du voyant	Description
 2 fois	La batterie est insérée, l'outil effectue une auto-vérification L'outil est prêt à fonctionner.
 20 s	Batterie faible. L'outil ne fonctionne pas. Rechargez la batterie/insérez la batterie complètement chargée.
 20 s/5 Hz	20 s/5 Hz L'outil ne fonctionne pas. Amenez l'outil et la batterie à la plage de température de fonctionnement correcte.
 20 s/2 Hz	Indique que l'intervalle d'entretien approche. Démarre après 18 000 cycles, soit 2 000 cycles avant de terminer l'intervalle de service (20 000 cycles).
 20 s/2 Hz	L'outil est verrouillé. L'outil a terminé l'intervalle de service (20 000 cycles) et nécessite un entretien. L'outil a mal fonctionné. Retirez puis réinsérez la batterie. Si l'appareil est toujours activé, l'outil doit être entretenu.

Figure 5 – Voyants d'état de l'outil



## Équipement standard

Reportez-vous au catalogue RIDGID plus de détails sur les équipements fournis avec des références catalogue d'outils spécifiques.

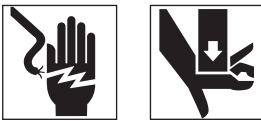
**⚠ AVERTISSEMENT** N'utilisez les outils de sertissage RIDGID et les accessoires d'outils de sertissage RIDGID que lorsque cela est spécifié par le fabricant du raccord pour une utilisation avec son système. L'utilisation d'outils de sertissage et/ou d'accessoires incorrects pour un système peut entraîner des fuites du système, endommager l'outil de sertissage ou l'accessoire, annuler les garanties ou causer des blessures graves.

**AVIS IMPORTANT** La sélection d'un matériel approprié et des méthodes d'assemblage relève de la responsabilité du concepteur du système et/ou de l'installateur. Avant toute tentative d'installation, une évaluation minutieuse de l'environnement de service spécifique, y compris l'environnement chimique et la température de service, doit être effectuée. Consultez le fabricant du système de raccords de sertissage pour plus d'informations sur la sélection.

Contactez le fabricant des raccords pour obtenir des informations spécifiques sur leur système, notamment la tuyauterie compatible, les matériaux, les instructions d'installation, la distance minimale entre les raccords, le matériau du joint d'étanchéité, l'inspection, les tests, etc. Une installation incorrecte peut provoquer des fuites et des dégâts matériels importants.

## Inspection préalable de l'appareil

### ⚠ AVERTISSEMENT



**Tous les jours, avant utilisation, inspectez l'outil de sertissage et les accessoires. Corrigez tous les problèmes pour réduire le risque de blessures graves dues à un choc électrique, à des écrasements, à une défaillance de l'accessoire et à d'autres causes, et à prévenir les dommages causés aux outils.**

1. Retirez la batterie de l'outil.

2. Éliminez toutes traces d'huile de graisse ou de crasse, en particulier sur les poignées et les commandes. Cela facilitera l'inspection et assurera une meilleure prise en main de ses commandes.

3. Inspectez l'outil de sertissage pour :

- Vous assurer que l'outil est complet et monté correctement;
- Détecter tout signe de dommages, d'usure, de pièces manquantes, mal alignées ou grippées. Vérifier que les boucles de tissu sont en bon état;
- Vérifier le mouvement fluide de la broche de montage de l'accessoire entre la position entièrement ouverte et entièrement fermée. La broche doit se verrouiller dans chaque position. S'assurer que le commutateur de marche se déplace librement et qu'il ne se coince pas;
- Contrôler la présence et la lisibilité de l'étiquette de sécurité (*Figure 1 ou 6*);
- Déceler toute autre anomalie susceptible de nuire au bon fonctionnement et à la sécurité de l'appareil.

N'utilisez pas l'outil de sertissage tant que les problèmes n'ont pas été résolus.



Figure 6 – Étiquette d'avertissement

4. Inspectez les accessoires :

- Inspectez soigneusement tous les accessoires pour détecter toute pièce fissurée, cassée, usée, manquante, mal alignée ou grippée, ou tout autre signe de dommage qui pourrait empêcher un fonctionnement correct et sûr. Des pièces endommagées peuvent provoquer un mauvais sertissage ou des défaillances lors de l'utilisation et provoquer des blessures graves ou des dommages matériels. Si des dommages sont détectés, l'accessoire doit être mise au rebut et remplacé.

**⚠ AVERTISSEMENT** Mettez systématiquement au rebut l'accessoire de sertissage complet. Ne remplacez jamais des composants individuels et n'échangez jamais de pièces entre assemblages. Le non-remplacement de l'assemblage complet peut entraîner une défaillance des composants et des blessures graves.

Ne modifiez pas les accessoires de sertissage ni utilisez des accessoires modifiés. Un accessoire de sertissage soudé, mis à la terre, percé ou modifié de quelque manière que ce soit peut se briser lors du sertissage, et entraîner la projection d'objets pointus, des blessures graves voire mortelles. Jetez et remplacez les pièces jointes endommagées.

- Inspectez les marquages d'accessoire pour s'assurer qu'ils indiquent clairement la taille appropriée au système. N'utilisez pas d'accessoire qui ne soit pas clairement marqué.
  - Inspectez le profil de sertissage de l'accessoire. S'il est rouillé, sale ou s'il y a accumulation de matériau de raccord, nettoyez comme décrit dans la section Maintenance. Il est important de garder le profil de sertissage propre afin d'éviter la formation de bavures pendant le sertissage, d'éviter que l'accessoire ne colle au raccord et de s'assurer que le raccordement est effectué correctement.
  - Assurez-vous que les ressorts sont intacts et que l'accessoire est orienté dans le sens de la fermeture. L'accessoire doit fonctionner librement de la position complètement ouverte jusqu'à la position complètement fermée. Si nécessaire, lubrifiez les points de rotation à l'aide d'une huile lubrifiante légère. Essayez tout excès d'huile de l'accessoire.
5. Inspectez et effectuez l'entretien tout autre équipement utilisé conformément aux instructions pour vous assurer qu'il fonctionne correctement.

## Préparation et fonctionnement

### ⚠ AVERTISSEMENT



**Tenez vos doigts et vos mains à l'écart de l'accessoire de sertissage pendant le fonctionnement de l'outil. Vos doigts ou vos mains peuvent être écrasés, fracturés ou amputés dans l'accessoire, l'outil, entre l'outil et l'accessoire, la pièce de travail et d'autres objets.**

**De grandes forces sont générées lors de l'utilisation du produit qui peuvent casser ou projeter des pièces et provoquer des blessures. Restez à l'écart pendant l'utilisation et portez un équipement de protection approprié, notamment une protection oculaire.**

**Utilisez des combinaisons d'outils, d'accessoires et de raccords appropriés. Une mauvaise combinaison peut entraîner un raccordement incomplet de l'outil de sertissage, ce qui augmente le risque de blessures, de fuites et de dommages matériels.**

**Suivez les instructions de préparation et de fonctionnement pour réduire le risque de blessures dues à l'écrasement et à d'autres causes et pour éviter d'endommager l'outil.**

1. Confirmez la zone de travail appropriée (*Voir Avertissements généraux de sécurité de l'outil électrique*). Utilisez l'outil dans un endroit sec, dégagé, stable et de niveau. N'utilisez pas l'outil lorsque vous vous tenez debout dans l'eau.
2. Évaluez le travail à effectuer et choisissez l'outil RIDGID et l'accessoire RIDGID adaptés à l'application conformément à ses spécifications. L'utilisation d'un équipement incorrect pour une application peut provoquer des blessures, endommager l'outil et entraîner des raccordements incomplets.
3. Vérifiez que tous les équipements ont été inspectés et configurés comme indiqué dans les instructions.

## Retrait/installation de l'accessoire

- Retirez la batterie de l'outil.
- Ouvrez la broche de montage de l'accessoire :
  - Poussez légèrement la broche de montage de l'accessoire.
  - Tournez d'environ 45° dans le sens antihoraire pour l'ouvrir.
- Retirez/insérez l'accessoire approprié (Figure 7).

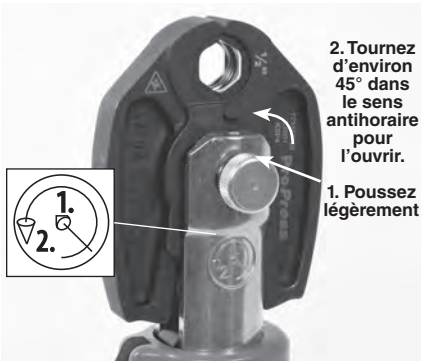


Figure 7 – Ouverture de la broche de montage de l'accessoire

- Poussez pour fermer complètement la broche de montage de l'accessoire jusqu'à ce qu'elle se verrouille en position fermée. La broche de montage de l'accessoire doit être complètement fermée pour éviter d'endommager l'outil lors de l'utilisation.

REMARQUE : N'utilisez pas l'outil sans l'accessoire en place, pour éviter d'endommager l'outil.

## Préparation du raccordement

**AVIS IMPORTANT** Ces instructions sont des pratiques généralisées pour plusieurs types d'accessoires d'outils de sertissage. Suivez toujours les instructions spécifiques de l'accessoire de l'outil de sertissage utilisé et les instructions d'installation spécifiques du fabricant des raccords afin de réduire le risque de mauvais raccordements et d'importants dommages matériels.

- Préparez le raccord de sertissage conformément aux instructions du fabricant du raccord.
- Les mains sèches, insérez une batterie complètement chargée dans l'outil.

## Sertissage d'un raccord

- Serrez les bras des mâchoires pour ouvrir les mâchoires.



Figure 8 – Ouverture de la mâchoire

- Placez les mâchoires ouvertes autour du raccord (Figure 9). Alignez correctement le profil de sertissage de la mâchoire avec le contour du raccord, comme indiqué dans les Instructions d'installation du fabricant du raccord. Relâchez les bras de la mâchoire pour fermer les mâchoires autour du raccord. Ne suspendez pas le jeu de mâchoires au raccord. L'outil peut tomber inopinément et provoquer des blessures graves, voire mortelles.



Figure 9 – Positionnement des mâchoires autour du raccord

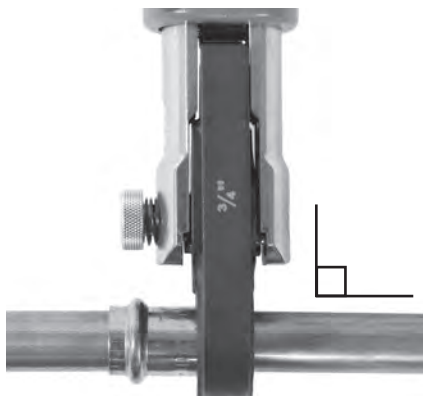


Figure 10 – Mâchoires d'équerre par rapport au raccord

3. Confirmez que la mâchoire est correctement placée et d'équerre par rapport au raccord. Gardez les doigts et les mains éloignés des mâchoires pour éviter les blessures par écrasement dans les mâchoires ou entre les mâchoires et l'environnement.

Appuyez sur le commutateur de déclenchement/de marche. Le cycle de l'outil commence et les rouleaux entrent en contact avec les bras de la mâchoire et complètent le cycle. Continuez à appuyer sur le commutateur de déclenchement/de marche jusqu'à ce que le piston se rétracte automatiquement. La rétraction automatique du piston indique que l'outil a atteint la force appropriée et que le cycle est terminé. Ceci est nécessaire pour assurer un bon raccordement.

Si l'outil doit être retiré avant la fin du raccordement, relâchez le commutateur de déclenchement/de marche, appuyez sur le bouton de dissipation de la pression (Figure 1). Chaque fois que le bouton de déclenchement est enfoncé, le sertissage n'est PAS terminé. Vous devez appuyer à nouveau sur le raccordement pour assurer son exécution. Si l'outil ne fonctionne pas correctement, utilisez cette procédure.



Figure 11 – Sertissage d'un raccord

4. Relâchez le commutateur de déclenchement/de marche.
5. Serrez les bras des mâchoires pour ouvrir les mâchoires.
6. Retirez la mâchoire du raccord. Évitez les bords tranchants qui peuvent s'être formés sur le raccord pendant le sertissage.
7. Une fois l'opération terminée, retirez la batterie de l'outil.

## Inspection du sertissage du raccordement

1. Inspectez le sertissage du raccord pour vérifier :
  - L'insertion complète du tube dans le raccord;
  - L'absence de désalignement excessif des tubes. Un léger désalignement au niveau d'un raccord de sertissage est considéré comme normal;
  - L'alignement incorrect de l'accessoire avec le contour du raccord. Un raccord tordu ou déformé;
  - Tout autre problème selon le fabricant du raccord. Cela peut inclure le retrait d'une bague de commande ou d'un autocollant (utilisé pour indiquer que le raccordement n'a pas encore été serti).

En cas de problème, retirez le raccord et installez un nouveau raccordement de sertissage.
2. Lors de l'inspection des raccords ProPress, vérifiez et confirmez la présence de la marque témoin ProPress dans l'un des méplats hexagonaux (Voir la Figure 12). Cette marque unique confirme que le jeu de mâchoires

RIDGID approprié, spécialement conçu pour le système de raccord ProPress a été utilisé pour effectuer un raccordement de sertissage. Cette marque témoin est une marque de commerce de Ridge Tool Company. L'absence de la marque témoin peut invalider la garantie du fabricant du système.

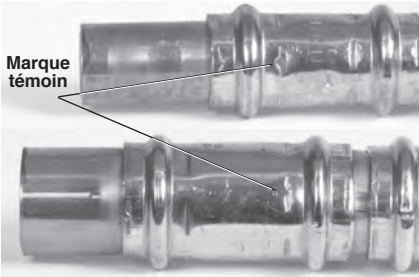


Figure 12 – Marque témoin ProPress

3. Testez le sertissage conformément aux instructions du fabricant du connecteur, aux pratiques normales et aux codes applicables.

## Désactivez/activez le voyant de travail

- Pour désactiver le voyant de travail, appuyez sur le commutateur de marche et retirez la batterie de l'outil.
- Pour activer le voyant de travail, la batterie étant retirée, appuyez sur le commutateur de marche et insérez la batterie dans l'outil.

## Entreposage

Retirez la batterie de l'outil de sertissage. Rangez l'outil de sertissage, les accessoires et la batterie dans le coffret. Évitez de les stocker dans des conditions de chaleur ou de froid extrêmes. L'outil ne se met pas en marche pas s'il se trouve en dehors de la plage de spécifications.

**⚠ AVERTISSEMENT** Stockez l'outil dans un endroit clos, hors de la portée des enfants et des personnes non familiarisés avec l'outil de sertissage. Cet outil peut devenir dangereux entre les mains d'un novice.

## Consignes d'entretien

### ⚠ AVERTISSEMENT

**Veillez à retirer la batterie de l'outil avant d'effectuer l'entretien ou d'effectuer tout réglage.**

**N'ouvrez pas l'outil ou la batterie.** Il ne contient aucune pièce réparable par l'utilisateur.

### Nettoyage et lubrification

1. Essuyez l'outil quotidiennement avec un chiffon propre et sec.
2. Inspectez la broche de montage de fixation et lubrifiez la broche avec du lubrifiant silicone selon les besoins.

### Accessoires de sertissage

1. Inspectez quotidiennement le profil de sertissage (Figure 13). S'il présente des signes de rouille, de crasse ou d'accumulation de matériau de raccord sur le diamètre intérieur, nettoyez-le avec des tampons de polissage pour métaux Scotch-Brite® (Scotch-Brite® est une marque déposée de la société 3M) de qualité fine (ou équivalent), de la laine d'acier ou une brosse métallique à poils d'acier.

**AVIS IMPORTANT** Ne nettoyez pas le profil de sertissage à l'aide de matériaux ou de méthodes abrasifs agressifs, tels que la toile émeri, le papier de verre, les meules ou les limes rotatives. Ces méthodes peuvent altérer les dimensions critiques des contours de sertissage et former des raccords non conformes qui peuvent entraîner des dommages matériels importants.

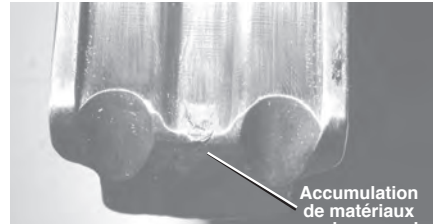


Figure 13 – Encrassement du matériau des raccords nécessitant un nettoyage des mâchoires

2. Les broches de pivot et les points mobiles doivent être nettoyés et lubrifiés au moins une fois par mois à l'aide d'une huile lubrifiante légère à usage général.

3. Vérifiez les ressorts de rappel à chaque utilisation. Les mâchoires doivent s'ouvrir et se fermer librement en ne nécessitant qu'un effort modéré des doigts.

devez procéder à l'entretien et au réétalonnage. L'outil ne fonctionnera pas s'il n'est pas entretenu dans les 2 00 cycles supplémentaires (20 000 au total) après que le voyant d'état a commencé à clignoter.

## Entretien obligatoire au centre de service indépendant agréé RIDGID

Après 18 000 cycles, le voyant d'état commence à clignoter pour indiquer que vous

## Dépannage

ANOMALIE	CAUSE POSSIBLE	SOLUTION
<p>L'outil ne se met pas sous tension lorsque le commutateur de déclenchement/de marche est enfoncé.</p>	<p>La batterie est complètement déchargée ou la batterie est défectueuse. ----- Batterie mal insérée dans la poignée de l'outil.</p>	<p>Insérez une batterie entièrement chargée/remplacez la batterie. ----- Vérifiez que la batterie est bien insérée.</p>
<p>L'accessoire est verrouillé sur le raccord.</p>	<p>La connexion à la presse n'a pas été terminée.</p>	<p>Appuyez sur le bouton de détente de la pression pour retirer les mâchoires du raccord. Inspectez et ressertissez le raccord.</p>
<p>Les raccords serts produits ne sont pas terminés.</p>	<p>Mâchoire incorrecte utilisée pour la taille ou le matériau du tube. ----- L'outil n'était pas d'équerre avec le tube.  ----- Le contour de sertissage de l'accessoire n'a pas été aligné avec le contour du raccord.  ----- L'outil doit être réparé.</p>	<p>Installez l'accessoire adéquat.  ----- Recommencez le sertissage avec un nouveau raccord et un nouveau tube. Assurez-vous que l'outil est d'équerre avec le tube.  ----- Refaites le raccordement avec un nouveau tube et un nouveau raccord. Assurez-vous que le contour de sertissage de l'accessoire est aligné avec le contour du raccord.  ----- Voir les Informations de contact pour obtenir les coordonnées du réparateur RIDGID indépendant agréé le plus proche.</p>
<p>Des ailettes excessivement grandes ou pointues sont présentes au niveau de la ligne de jonction de la sertissure ou les pointes des mâchoires se rassemblent.</p>	<p>Accumulation de matériau de raccordement dans la zone du contour près des pointes des mâchoires.  ----- Mâchoires excessivement usées ou endommagées.</p>	<p>Nettoyez la mâchoire dans la zone du contour à l'aide de tampons de polissage pour métaux tels que Scotch-Brite®. Reportez-vous à la section Maintenance pour obtenir des instructions.  ----- Éliminez les mâchoires et remplacez-les par un nouveau jeu de mâchoires RIDGID.</p>
<p>Les mâchoires s'accrochent excessivement au raccord après avoir terminé la sertissure.</p>	<p>Accumulation de matériau de raccordement dans la zone du contour près des pointes des mâchoires.</p>	<p>Nettoyez la mâchoire dans la zone du contour à l'aide de tampons de polissage pour métaux tels que Scotch-Brite®. Reportez-vous à la section Maintenance pour obtenir des instructions.</p>

## Dépannage (Suite)

ANOMALIE	CAUSE POSSIBLE	SOLUTION
Fuites d'huile de l'outil.	Problèmes d'étanchéité ou mécaniques.	Voir les Informations de contact pour obtenir les coordonnées du réparateur RIDGID indépendant agréé le plus proche.
Le moteur tourne mais l'outil ne complète pas le cycle.	Niveau d'huile bas.	
L'outil s'arrête pendant le fonctionnement.	Niveau d'huile bas.	

Voir la Figure 5 Voyants d'état de l'outil.

## Entretien et réparations

### ⚠ AVERTISSEMENT

**Toute révision ou réparation mal effectuée pourrait nuire à la sécurité de fonctionnement de cet appareil.**

L'entretien et la réparation de l'outil de sertissage RP 115 doivent être effectués par un centre de service indépendant agréé RIDGID pour les outils de sertissage.

Pour obtenir les coordonnées du réparateur RIDGID indépendant agréé le plus proche ou pour toutes questions concernant l'entretien ou la réparation de l'appareil, reportez-vous à la section *Informations de contact* du manuel.

## Accessoires en option

### ⚠ AVERTISSEMENT

**Afin de limiter les risques d'accident, utilisez exclusivement les accessoires spécifiquement conçus et recommandés pour l'outil de sertissage RP 115 comme ceux indiqués ci-dessous.**

N° de catalogue	Description
75338	Coffret de transport, RP 115

### Mâchoires

N° de catalogue	Description	Poids
72563	Mâchoire Mini PureFlow ½ po	1 kg (2,2 lb)
72568	Mâchoire Mini PureFlow ¾ po	1 kg (2,2 lb)
72578	Mâchoire Mini PureFlow ½ po	1 kg (2,2 lb)
72583	Mâchoire Mini PureFlow ¾ po	1 kg (2,2 lb)

### Bloc-batterie

N° de catalogue	Description	Capacité
55183	RB-1225R	10,8 V (2,5 Ah)

La batterie fonctionnera avec n'importe quelle référence catalogue de chargeur de batterie RBC-121.

### Chargeurs et cordons

N° de catalogue	Description	Région	Type de fiche
55193	Chargeur	États-Unis, Canada et Mexique	A
55198	Chargeur	Europe	C
55203	Chargeur	Chine	A
55208	Chargeur	Australie et Amérique latine	I
55213	Chargeur	Japon	A
55218	Chargeur	Royaume-Uni	G
44798	Cordon de chargeur	Amérique du nord	A
44808	Cordon de chargeur	Europe	C
44803	Cordon de chargeur	Chine	A
44813	Cordon de chargeur	Australie et AL	I
44818	Cordon de chargeur	Japon	A
44828	Cordon de chargeur	Royaume-Uni	G

Pour obtenir une liste complète des accessoires en option RIDGID® disponibles pour cet outil, consultez le catalogue en ligne Ridge Tool à l'adresse RIDGID.com ou consultez la rubrique Informations de contact.

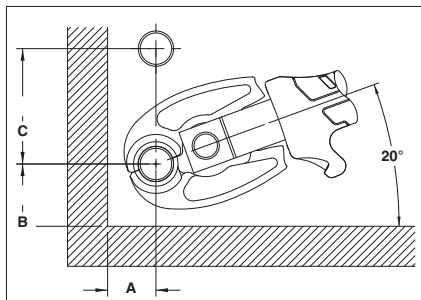
## Recyclage

Certains composants de ces outils contiennent des matériaux précieux et peuvent être recyclés. Des sociétés de recyclage spécialisées peuvent parfois se trouver localement. Recyclez ces composants selon la réglementation en vigueur. Consultez votre centre de recyclage local pour de plus amples renseignements.



**Dans les pays de la communauté européenne :** Ne jetez pas de matériel électrique dans les ordures ménagères!

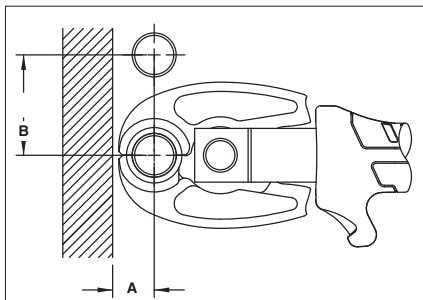
Selon la directive européenne 2012/19/EC, d'application nationale et visant le recyclage des déchets électriques et électroniques, tout matériel électrique hors d'usage doit être collecté séparément et recyclé de manière écoresponsable.



Système	Dia. tube	A (min.)		B (min.)		C (min.)	
		Pouces	mm	Pouces	mm	Pouces	mm
ProPress	1/2"	7/8	23	1 5/8	41	2 3/4	70
	3/4"	1 1/8	29	2 3/4	45	2 7/8	73
PureFlow	1/2"	7/8	23	1 5/8	41	2 1/2	64
	3/4"	1 1/4	32	1 3/4	45	2 3/4	70

## Exigences en matière d'espace

Les figures suivantes indiquent les jeux requis pour les mâchoires et les raccords.



Système	Dia. tube	A (min.)		B (min.)	
		Pouces	mm	Pouces	mm
ProPress	1/2"	7/8	23	2 1/8	54
	3/4"	1	26	2 1/2	64
PureFlow	1/2"	3/4	19	2	51
	3/4"	1 1/8	29	2 1/4	57

## Compatibilité électromagnétique (CEM)

Le terme compatibilité électromagnétique désigne la capacité du produit à fonctionner sans problème dans un environnement où des rayonnements électromagnétiques et des décharges électrostatiques sont présents et sans provoquer d'interférences électromagnétiques avec d'autres équipements.

**AVIS IMPORTANT** Ces outils sont conformes à toutes les normes CEM applicables. Toutefois, la possibilité qu'ils provoquent des interférences avec d'autres appareils ne peut pas être exclue. Toutes les normes CEM qui ont été testées sont indiquées dans le document technique de l'outil.



# Selladora RP 115

## Selladora RP 115



### **⚠ ADVERTENCIA!**

Antes de utilizar este aparato, lea detenidamente su Manual del Operario. Pueden ocurrir descargas eléctricas, incendios y/o graves lesiones personales si no se entienden y siguen las instrucciones de este manual.

**RIDGID**

## Índice de materias

<b>Simbología de seguridad</b> .....	33
<b>Advertencias de seguridad general para máquinas eléctricas*</b>	
Seguridad en la zona de trabajo.....	33
Seguridad eléctrica.....	33
Seguridad personal.....	34
Uso y cuidado de las máquinas eléctricas.....	35
Uso y cuidado de las máquinas a batería.....	35
Servicio.....	36
<b>Información de seguridad específica</b>	
Seguridad de la selladora.....	36
<b>Información de contacto RIDGID®</b> .....	36
<b>Descripción</b> .....	37
<b>Especificaciones</b> .....	37
Equipo estándar.....	39
<b>Inspección previa al funcionamiento</b> .....	39
<b>Montaje y operación</b> .....	40
Extracción y colocación de accesorios.....	40
Preparación de la conexión.....	41
Selladura de un acoplamiento.....	41
Inspección de la junta sellada.....	42
Inactivación y activación de la luz de trabajo.....	43
<b>Almacenamiento</b> .....	43
<b>Instrucciones de mantenimiento</b>	
Limpieza y lubricación.....	43
Accesorios de sellado.....	43
Servicio exigido en servicentros RIDGID independientes autorizados.....	44
Resolución de problemas.....	44
Servicio y reparaciones.....	45
<b>Equipos opcionales</b>	
Mordazas.....	45
Batería.....	45
Cargadores y cordones.....	45
<b>Eliminación</b> .....	45
<b>Requisitos de espacio</b> .....	46
<b>Compatibilidad electrónica (CEM)</b> .....	46
<b>Declaración de FCC</b> .....	Interior de la carátula posterior
<b>Declaración de conformidad de la Comunidad Europea</b> .....	Interior de la carátula posterior
<b>Garantía de por vida</b> .....	Carátula posterior

\*Instrucciones originales en inglés

## Simbología de seguridad

En este manual del operario y en el producto mismo encontrará símbolos y palabras de advertencia que comunican importante información de seguridad. Para su mejor comprensión, en esta sección se describe el significado de estas palabras y símbolos de advertencia.

**⚠ PELIGRO** Este símbolo de PELIGRO advierte de una situación de riesgo o peligro que, si no se evita, produce la muerte o lesiones graves.

**⚠ ADVERTENCIA** Este símbolo de ADVERTENCIA avisa de una situación de riesgo o peligro que, si no se evita, podría producir la muerte o lesiones graves.

**⚠ CUIDADO** Este símbolo de CUIDADO advierte de una situación de riesgo o peligro que, si no se evita, podría producir lesiones leves o moderadas.

**⚠ AVISO** Un AVISO indica información relacionada con la protección de un bien o propiedad.



Este símbolo significa que es necesario leer detenidamente el manual del operario antes de usar el equipo. El manual del operario contiene información importante acerca del funcionamiento apropiado y seguro del equipo.



Este símbolo indica que siempre debe usar gafas o anteojos de seguridad con viseras laterales cuando use este aparato, para reducir el riesgo de lesión a los ojos.



Este símbolo indica que existe riesgo de aplastamiento de los dedos, manos y otras partes del cuerpo.



Este símbolo indica que hay riesgo de choques de electricidad.



Este símbolo indica que este aparato eléctrico cumple con los requisitos de las correspondientes directrices de la Comunidad Europea.



Este símbolo indica que este es un aparato eléctrico que no debe desecharse con la basura común. Vea la sección *Eliminación*.



Este símbolo indica que este es un aparato de Clase II.



Este símbolo indica que el producto debe usarse solamente en interiores bajo techo.

## Advertencias de seguridad general para máquinas eléctricas\*

### ⚠ ADVERTENCIA

**Lea todas las instrucciones, advertencias de seguridad, ilustraciones y especificaciones que se proporcionan con esta máquina eléctrica. Si no se siguen y respetan todas las instrucciones siguientes, podrían producirse descargas eléctricas, incendios y/o lesiones graves.**

**¡GUARDE TODAS LAS ADVERTENCIAS E INSTRUCCIONES PARA SU POSTERIOR CONSULTA!**

El término "máquina eléctrica" en las advertencias se refiere a la máquina eléctrica con cordón que recibe electricidad del tomacorriente o a la máquina eléctrica sin cordón que funciona a batería.

## Seguridad en la zona de trabajo

- Mantenga su zona de trabajo limpia y bien iluminada. Los lugares desordenados u oscuros pueden provocar accidentes.
- No haga funcionar máquinas eléctricas en ambientes explosivos, es decir, en presencia de líquidos, gases o polvo inflamables. Las herramientas eléctricas pueden generar chispas que podrían encender los gases o el polvo.
- Mientras haga funcionar una máquina eléctrica, mantenga alejados a los niños y observadores. Cualquier distracción podría hacerle perder el control del aparato.

## Seguridad eléctrica

- El enchufe del aparato eléctrico debe corresponder al tomacorriente. Jamás modifique el enchufe del aparato. No utilice un enchufe adaptador cuando haga funcionar una herramienta eléc-

\* Como es obligatorio, el texto usado en la sección Advertencias de seguridad general para máquinas eléctricas de este manual es transcripción literal de la correspondiente norma UL/CSA/EN 62841-1. Esta sección contiene las prácticas de seguridad general para distintos tipos de máquinas eléctricas. No todas las precauciones corresponden a cada máquina; hay algunas que no le competen a esta máquina.

trica provista de conexión a tierra. Los enchufes intactos y tomacorrientes que les corresponden reducen el riesgo de choques de electricidad.

- **Evite el contacto de su cuerpo con artefactos conectados a tierra tales como cañerías, radiadores, estufas o cocinas, y refrigeradores.** Aumenta el riesgo de choques de electricidad si su cuerpo ofrece conducción a tierra.
- **No exponga las máquinas eléctricas a la lluvia ni permita que se mojen.** Si entra agua a una máquina eléctrica aumenta el riesgo de choques de electricidad.
- **No maltrate el cordón eléctrico del aparato.** Nunca transporte el aparato tomándolo de su cordón eléctrico ni jale del cordón para desenchufarlo del tomacorriente. Mantenga el cordón alejado del calor, aceite, bordes cortantes o piezas móviles. Un cordón enredado o en mal estado aumenta el riesgo de choques de electricidad.
- **Al hacer funcionar una máquina eléctrica a la intemperie, emplee un cordón de extensión fabricado para uso al aire libre.** Los cordones diseñados para su empleo al aire libre reducen el riesgo de choques de electricidad.
- **Si resulta inevitable el empleo de una máquina eléctrica en un sitio húmedo, enchúfela en un tomacorriente GFCI (dotado de un Interruptor del Circuito de Pérdida a Tierra).** El interruptor GFCI reduce el riesgo de choques de electricidad.
- **Si resulta inevitable emplear una máquina eléctrica en un lugar húmedo, use una fuente de alimentación con protección RCD (dispositivo de protección contra la corriente remanente).** El uso de un RCD reduce el riesgo de choques de electricidad.
- **Se recomienda que la máquina siempre se alimente a través de un dispositivo de protección contra la corriente remanente que tenga una corriente remanente de 30 mA o menos.**

## Seguridad personal

- **Manténgase alerta, preste atención a lo que está haciendo y use sentido común cuando haga funcionar una máquina eléctrica. No use ningún aparato eléctrico si usted está cansado**

**o se encuentra bajo la influencia de drogas, alcohol o medicamentos.** Tan solo un breve descuido durante el funcionamiento de una máquina eléctrica puede resultar en lesiones personales graves.

- **Use equipo de protección personal. Siempre use protección para los ojos.** Según corresponda para cada situación, póngase equipos de protección como mascarilla para el polvo, calzado de seguridad antideslizante, casco, o protección para los oídos, con el fin de reducir las lesiones personales.
- **Evite echar a andar un aparato sin querer. Asegure que el interruptor esté en posición de apagado (OFF) antes de conectar el aparato a la corriente eléctrica o a la batería, o de tomarlo o acarrearlo.** Se pueden producir accidentes cuando se transporta una máquina eléctrica con el dedo puesto sobre el interruptor, o se la conecta a la fuente de energía con el interruptor en posición de encendido (ON).
- **Extraiga cualquier llave de ajuste que esté acoplada al aparato antes de encenderlo.** Una llave acoplada a una pieza o parte giratoria de la máquina eléctrica puede producir lesiones personales.
- **No trate de extender el cuerpo para alcanzar algo. Mantenga los pies bien plantados y mantenga el equilibrio en todo momento.** Esto permite un mejor control de la máquina eléctrica en situaciones inesperadas.
- **Vístase adecuadamente. No lleve ropa suelta ni joyas. Mantenga su cabello, ropa y guantes apartados de las piezas en movimiento.** La ropa suelta, las joyas o el pelo largo pueden engancharse en las piezas móviles.
- **Si se proveen dispositivos para la extracción y recolección del polvo, asegure que estén bien conectados y que se usen correctamente.** La extracción del polvo puede reducir los peligros que acarrea.
- **No permita que la familiarización debida al uso frecuente de las herramientas le induzca a hacer caso omiso de los principios de seguridad.** Cualquier descuido podría causar una lesión grave en una fracción de segundo.

## Uso y cuidado de las máquinas eléctricas

- **No fuerce las máquinas eléctricas. Use el aparato eléctrico correcto para la tarea que está por realizar.** Hará mejor el trabajo y en forma más segura con la máquina eléctrica que corresponda a su clasificación nominal.
- **Si el interruptor de la máquina eléctrica no la enciende (ON) o no la apaga (OFF), no utilice el aparato.** Cualquier máquina eléctrica que no se pueda controlar mediante su interruptor es un peligro y debe repararse.
- **Desenchufe el aparato del tomacorriente o extraiga la batería (si es posible) antes de hacer ajustes, cambiar accesorios o almacenarlo.** Estas medidas de seguridad preventiva reducen el riesgo de poner la máquina eléctrica en marcha involuntariamente.
- **Almacene las máquinas eléctricas que no estén en uso fuera del alcance de los niños y no permita que las hagan funcionar personas que no estén familiarizadas con estas herramientas o no hayan leído estas instrucciones de operación.** Las máquinas eléctricas en manos de personas no capacitadas son peligrosas.
- **Efectúe el mantenimiento de las máquinas eléctricas y sus accesorios.** Revise que sus piezas móviles estén bien alineadas y que no se atascan. Verifique que no tengan piezas rotas ni presenten alguna condición que podría afectar su funcionamiento. Si un aparato eléctrico está dañado, hágalo reparar antes de utilizarlo. Muchos accidentes se deben a máquinas eléctricas que no han recibido un mantenimiento adecuado.
- **Mantenga las herramientas de cortar afiladas y limpias.** Cuando sus partes filosas se mantienen afiladas, son menos propensas a trabarse y más fáciles de controlar.
- **Utilice la máquina eléctrica, sus accesorios, brocas, barrenas, etc. en conformidad con estas instrucciones, teniendo en cuenta las condiciones imperantes y la tarea que se realizará.** Cuando se emplea una máquina eléctrica para efectuar trabajos que no le son propios, se crean situaciones que podrían ser peligrosas.

- **Mantenga los mangos y superficies de agarre secos, limpios y exentos de aceite y grasa.** Los mangos y superficies resbalosos no permiten al operario manejar la herramienta con seguridad y controlarla en situaciones inesperadas.

## Uso y cuidado de las máquinas a batería

- **Vuelva a cargar las baterías únicamente con el cargador que especifica el fabricante.** Un cargador apropiado para cierto tipo de baterías puede causar un incendio si se le emplea para cargar otro tipo de baterías.
- **Coloque en la máquina eléctrica solamente la batería específicamente indicada.** El uso de baterías diferentes a las especificadas puede causar lesiones o un incendio.
- **Cuando la batería no esté en uso, manténgala apartada de otros objetos metálicos tales como sujetapapeles, monedas, llaves, clavos, tornillos o cualquier otra cosa metálica pequeña que pudiera efectuar una conexión entre un borne y el otro.** Los cortocircuitos entre los bornes de la batería podrían causar incendios o quemaduras.
- **En condiciones extremas de uso, la batería podría rezumar líquido. No lo toque. Si accidentalmente lo llegara a tocar, lávese la zona de contacto con agua. Si el líquido entra en contacto con sus ojos, solicite además atención médica.** El líquido que sale de una batería puede causar irritación o quemaduras.
- **No use una batería o una máquina si están dañadas o modificadas.** Las baterías dañadas o modificadas pueden actuar en forma inesperada y causar incendios, explosiones o lesiones.
- **No exponga la batería o la máquina eléctrica al fuego o a temperaturas excesivas.** La exposición al fuego o a temperaturas superiores a 265° F (130 °C) puede causar una explosión.
- **Siga todas las instrucciones para cargar la batería. No cargue la batería ni la máquina a temperaturas que estén fuera de los límites especificados en las instrucciones.** Si carga la batería en forma equivocada o a temperaturas que están fuera de los límites especificados,

se puede dañar la batería y aumentar el riesgo de incendio.

## Servicio

- **Encomiende el servicio de la máquina eléctrica únicamente a técnicos de reparación calificados que solo empleen repuestos idénticos a las piezas originales.** Esto garantiza la continua seguridad de la máquina eléctrica.
- **Nunca le haga servicio a una batería dañada.** Solamente el fabricante o técnicos de servicio autorizados deben efectuarle servicio a las baterías.

## Información de seguridad específica

### ⚠ ADVERTENCIA

**Esta sección contiene información de seguridad importante que es específica para esta herramienta.**

**Antes de utilizar la selladora, lea estas precauciones detenidamente para reducir el riesgo de choques eléctricos o de otras lesiones graves.**

### **¡GUARDE TODAS LAS ADVERTENCIAS E INSTRUCCIONES PARA SU POSTERIOR CONSULTA!**

El maletín de la selladora tiene un compartimiento para guardar este manual junto con la selladora, con el fin de que el operario lo conserve a la mano.

## Seguridad de la selladora

- **Mantenga los dedos y manos apartados de los accesorios durante el ciclo de sellado.** Sus dedos o manos pueden ser aplastados, fracturados o amputados si quedan atrapados en los accesorios o entre estos componentes y cualquier otro objeto.
- **Nunca intente reparar los accesorios de sellado que estén dañados. Deseche la totalidad del accesorio averiado.** Un accesorio que se haya soldado, afilado, perforado o modificado de cualquier forma podría hacerse trizas durante una selladura y causar lesiones graves. Si no reemplaza el accesorio completo de la selladora, los componentes podrían fallar y causar lesiones graves.
- **Cuando este aparato está en marcha, genera grandes fuerzas. Estas**

**fuerzas podrían producir la rotura o expulsión de piezas y causar lesiones.** Manténgase apartado de la selladora durante su uso y póngase el equipo de protección apropiado, incluso protección para los ojos.

- **Utilice selladoras RIDGID® solamente con los correspondientes accesorios de sellado RIDGID o accesorios de sellado aprobados por RIDGID.** Si modifica la selladora o la utiliza para otras tareas, podría dañar la selladora, dañar los accesorios y/o causar lesiones personales.
  - **Use la combinación correcta de selladora, accesorio y acoplamiento.** Las combinaciones mal hechas pueden producir un sellado incompleto, lo cual aumenta el riesgo de fugas, daño al equipo y lesiones.
  - **No modifique el aparato.** Cualquier modificación que se le haga a la selladora podría causar lesiones personales y anular la garantía de la máquina.
  - **Antes de hacer funcionar una selladora RIDGID®, usted debe leer y entender:**
    - Este manual del operario.
    - El manual de la batería y del cargador.
    - Las instrucciones de instalación del fabricante de los acoplamientos.
    - Las instrucciones de cualquier otro equipo o material que se utilicen en conjunto con esta herramienta.
- Si no se siguen todas las instrucciones y no se respetan las advertencias, podrían producirse daños a la propiedad y/o lesiones graves.

## Información de contacto RIDGID

Si tiene alguna pregunta acerca de este producto RIDGID®:

- Comuníquese con el distribuidor RIDGID en su localidad.
- Visite [RIDGID.com](http://RIDGID.com) para ubicar su contacto local de RIDGID.
- Comuníquese con el Departamento de Servicio Técnico de Ridge Tool en [rttechservices@emerson.com](mailto:rttechservices@emerson.com), o llame por teléfono desde EE. UU. o Canadá al (800) 519-3456.

## Descripción

La selladora RP 115 de RIDGID® está diseñada para utilizarse con acoplamientos de la serie Mini de RIDGID. Se dispone de mordazas de la serie Mini para hacer el sellado mecánico de acoplamientos PureFlow® para tubos ViegaPEX™ y FostaPEX™, y de acoplamientos ProPress para tubos de cobre y acero inoxidable. Se exige un juego de mordazas individual para cada tipo y tamaño de tubo. Los juegos de mordazas y la selladora deben colocarse en posición perpendicular al acoplamiento y tubo que se desean sellar.

Al oprimirse el interruptor de operación de la selladora, un motor eléctrico interno impulsa una bomba hidráulica que inyecta líquido hacia el interior del cilindro del aparato. Esto impulsa al ariete o pistón hacia delante, que aplica fuerza al accesorio y sella el acoplamiento. El ciclo de sellado demora aproximadamente 3 segundos.

Se enciende una luz de trabajo cuando se oprime el gatillo interruptor de operación de la máquina, para iluminar el lugar de trabajo. El cabezal puede girar en 270°, para mejorar el acceso en lugares estrechos.

La selladora cuenta con bucles de tela que se pueden usar con los accesorios apropiados, tales como correas para colgar la herramienta al hombro o correas de amarre.

ViegaPEX™ y FostaPEX™ son marcas comerciales de Viega®. PureFlow® y ProPress® son marcas comerciales registradas de Viega®. Viega® es marca comercial registrada de Franz Viegner II GmbH & Company.

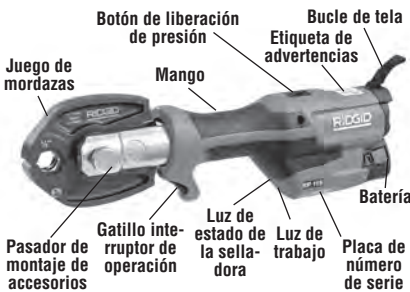


Figura 1 – Selladora RP 115 de RIDGID con mordazas



Figura 2 – Juego de mordazas de la serie Mini de RIDGID

La etiqueta de código de fechas está ubicada debajo de la zona donde se coloca la batería. El código de fechas se indica a continuación:

Ejemplo:

Partida # 304711

Código de fecha, P = 2020,

R = abril

Herramienta # 142

304711  
PR  
142

Figura 3 – Etiqueta de código de fecha

Código de fechas:

Año	Código	Mes	Código	Mes	Código
2018	M	Ene	N	Jul	V
2019	N	Feb	P	Ago	W
2020	P	Mar	Q	Sep	X
2021	Q	Abr	R	Oct	Y
2022	R	May	S	Nov	Z
2023	S	Jun	T	Dec	1

## Especificaciones\*

Accesorios .....Serie Mini de RIDGID (vea la sección *Equipo opcional*).

Longitud de la carrera .....1,26" (32 mm)

Fuerza del ariete...3.400 libras (15kN)

### Motor

Voltaje .....12V CC nominal

Amperaje.....2,0 A

Potencia .....24 W

Rotación del cabezal .....210°

Ciclo de trabajo ....3 selladuras /min.

Alimentación.....Batería recargable de ion Li de 12 V (serie RB-1200 de RIDGID)

Humedad permisible.....80% como máximo

Límites de temperatura de funcionamiento ..... 15° F a 104° F  
(-10° C a 40° C)

Temperatura de almacenamiento ..... 32° F a 113° F  
(0° C a 45° C)

Peso (sin batería ni accesorio)..... 2,9 libras (1,3 kg)  
Dimensiones (sin batería ni accesorio)..... 13" x 4,5" x 2,5"  
(330 mm x 114 mm x 63 mm)



Presión de sonido (L<sub>PA</sub>)\* ..... < 70 dB(A), K=3 dB(A)

Vibración\* ..... < 2,5 m/s<sup>2</sup>, K=1,5

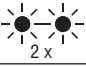



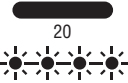
\* Las determinaciones de sonido y vibración se hacen de acuerdo con una prueba estandarizada conforme a la Norma EN 62481-1.

- Los niveles de vibración se pueden usar para comparar con otros aparatos y para una evaluación preliminar de la exposición.
- Las emisiones de sonido y vibración pueden variar según la ubicación del operario y el uso específico de estas máquinas.
- Es necesario evaluar la exposición diaria al sonido y vibración de acuerdo con cada aplicación, y luego tomar las medidas de seguridad apropiadas cuando corresponda. Cuando se evalúan los niveles de exposición, es necesario tomar en cuenta el tiempo durante el cual la máquina está apagada y no está en uso. Esto puede reducir el nivel de exposición significativamente a lo largo del período de trabajo total.

# Todas las especificaciones son nominales y pueden cambiar a medida que se mejora el diseño.

Control	Marca	Descripción
<b>Gatillo interruptor de operación</b>	—	Interruptor principal de la selladora. Se presiona para iniciar el ciclo de sellado, se suelta para detener el ciclo de sellado. El ariete no se retrae hasta que se complete el ciclo de sellado. La luz de trabajo se enciende al presionar el interruptor de operación y se apaga 10 segundos después de soltar el interruptor. La luz de trabajo se puede inactivar. Vea la sección <i>Inactivación y activación de la luz de trabajo</i> .
<b>Botón de liberación de presión</b>		Permite liberar la máquina sin que se complete la selladura. Si se usa, la selladura de la conexión no se completa y se debe repetir.
<b>Pasador de montaje de accesorio</b>		Sujeta el accesorio en la selladora. Debe estar encajado a fondo para que funcione la selladora.

**Figura 4 – Tabla de controles**

Luz indicadora	Descripción
 2 x	La batería está introducida. La selladora inicia un autocontrol. La selladora está lista para funcionar.
 20 s	La batería tiene poca carga. La selladora no funciona. Vuelva a cargar la batería o introduzca una batería completamente cargada.
 20 s/5 Hz	La selladora y/o la batería están fuera de los límites de temperatura especificados. La selladora no funciona. Deje que la selladora y/o la batería alcancen una temperatura dentro de los límites correctos para el funcionamiento.
	Indica que la selladora se está por completar su intervalo de servicio. Esto empieza a los 18.000 ciclos, es decir, 2.000 ciclos antes de completar el intervalo de servicio (20.000 ciclos).
 20 20 s/2 Hz	La selladora está bloqueada. La selladora ha completado su intervalo de servicio (20.000 ciclos) y es necesario hacerle servicio. La selladora ha funcionado mal. Extraiga la batería y vuelva a introducirla. Si la luz sigue encendida, entregue la selladora a servicio.

**Figura 5 – Luz indicadora del estado de la selladora**



## Equipo estándar

Consulte en el catálogo RIDGID los detalles de los equipos suministrados con números de catálogo específicos.

**▲ ADVERTENCIA** Use solamente selladoras RIDGID y accesorios de sellado RIDGID cuando lo especifique el fabricante del acoplamiento para usar con su sistema. El uso de selladora y/o accesorios incorrectos para un sistema puede causar fugas en el sistema, dañar la selladora o el accesorio, anular garantías o causar lesiones graves.

**AVISO** La selección correcta de los materiales y de los métodos de unión o sellado es responsabilidad del diseñador y/o instalador del sistema. Antes de comenzar una instalación se requiere completar una cuidadosa evaluación de las condiciones ambientales imperantes, incluyendo las condiciones químicas y la temperatura de servicio. Consulte al fabricante del acoplamiento de sellado para seleccionar correctamente los componentes del sistema.

Comuníquese con el fabricante del acoplamiento para conseguir información específica sobre su sistema, incluyendo la compatibilidad de tubos, materiales, instrucciones de instalación, distancia mínima entre acoplamientos, material de sellado, inspección, pruebas, etc. Una instalación incorrecta puede causar fugas en el sistema y cuantiosos daños a la propiedad.

## Inspección previa al funcionamiento

### ▲ ADVERTENCIA



**Inspeccione la selladora y los accesorios diariamente antes de su uso. Si detecta algún problema, corrijalo, con el fin de evitar lesiones graves por choques de electricidad, aplastamiento, falla de algún accesorio o por otras causas, y para prevenir daños a la máquina.**

1. Extraiga la batería de la selladora.
2. Limpie la selladora para quitarle el aceite, grasa o suciedad, especialmente en el mango y los controles. Esto facilita la inspección y ayuda a evitar que la máquina o los controles se resbalen de sus manos.

3. Inspeccione la selladora para verificar lo siguiente:

- Está completa y bien ensamblada, con el mantenimiento vigente.
- No tiene piezas rotas, desgastadas, faltantes, mal alineadas o atascadas. Los bucles de tela están en buenas condiciones.
- El pasador de montaje de accesorios se desplaza fácilmente entre la posición completamente abierta y la posición completamente cerrada. El pasador debe enclavarse bien en cada posición. Confirme que el interruptor de operación funciona bien, sin trabarse ni atascarse.
- La etiqueta de advertencias está adheridas y es legible. *Vea la Figura 1 o la Figura 6.*
- No existe ninguna condición que impida su funcionamiento seguro y normal. Si encuentra algún problema, no utilice la selladora hasta que se hayan solucionado las fallas.



Figura 6 – Etiqueta de advertencias

4. Inspeccione los accesorios:

- Inspeccione cuidadosamente todos los accesorios para verificar que no tengan piezas agrietadas, rotas, desgastadas, faltantes, mal alineadas o atascadas, ni tengan ningún otro problema que podría impedir el funcionamiento seguro y normal. Las piezas dañadas pueden hacer que el accesorio no produzca una conexión bien sellada o que falle durante el uso y cause lesiones graves o daños a la propiedad. Si encuentra algún daño en un accesorio, debe desecharlo y reemplazarlo.

**▲ ADVERTENCIA** Siempre deseche el accesorio de sellado completo. Nunca reemplace los componentes individuales ni intercambie piezas entre un juego y otro. Si no reemplaza el juego ensam-

blado en su totalidad, podría producirse una falla en algún componente y causar lesiones graves.

No modifique los accesorios de sellado ni use accesorios modificados. Un accesorio de sellado que se haya soldado, afilado, perforado o modificado de cualquier forma podría hacerse trizas durante una selladura y expulsar fragmentos filosos, lo cual podría causar lesiones graves o la muerte. Debe desechar y reemplazar los accesorios de sellado que estén dañados.

- Inspeccione las marcas en el accesorio para verificar que claramente corresponden al sistema y tamaño indicados. No use accesorios que no estén claramente marcados.
- Inspeccione el perfil de sellado del accesorio. Si está oxidado, sucio o tiene acumulaciones de material del acoplamiento, límpielo según se describe en la sección *Mantenimiento*. Es importante mantener la limpieza del perfil de sellado para impedir la formación de rebabas durante la selladura, impedir que el accesorio se pegue al acoplamiento y asegurar que la selladura logre una correcta conexión.
- Asegure que los muelles estén intactos y que impulsen el accesorio hacia la posición cerrada. El accesorio debe desplazarse fácilmente entre la posición totalmente abierta y la posición totalmente cerrada. Si fuera necesario, lubrique los puntos de pivote con un aceite lubricante liviano. Limpie el accesorio con un paño para eliminar el exceso de aceite.
- 5. Inspeccione y hágale mantenimiento a todos los demás equipos que usará, conforme a sus instrucciones, para asegurar su buen funcionamiento.

## Montaje y operación

### ⚠ ADVERTENCIA



**Mantenga los dedos y las manos apartados del accesorio de la selladora durante el ciclo de sellado. Sus dedos o manos podrían ser aplastados, fractura-**

**dos o amputados en el accesorio, en la selladora, o entre la selladora y el accesorio, pieza de trabajo y otros objetos.**

**Cuando este aparato está en marcha, genera grandes fuerzas. Estas fuerzas podrían producir la rotura o expulsión de piezas y causar lesiones. Manténgase apartado de la herramienta durante su uso y póngase el equipo de protección apropiado, incluso protección para los ojos.**

**Use la combinación correcta de selladora, accesorio y acoplamiento. Las combinaciones mal hechas pueden producir un sellado incompleto, lo cual aumenta el riesgo de fugas, daño a los equipos y lesiones.**

**Siga las instrucciones de montaje y operación para reducir el riesgo de lesiones por aplastamiento o por otras causas y para prevenir daños a la selladora.**

1. Confirme que la zona de trabajo es apropiada (*vea Advertencias de seguridad general para máquinas eléctricas*). Haga funcionar la selladora solamente en lugares despejados, nivelados, estables y secos. No use la máquina si está parado en un lugar con agua.
2. Inspeccione la tarea que debe realizar y determine cuál es la herramienta y el accesorio RIDGID que correspondan conforme a sus especificaciones. El uso de una máquina incorrecta para la aplicación puede causar lesiones, dañar la herramienta y producir conexiones incompletas.
3. Confirme que todos los equipos estén inspeccionados y montados según se indica en sus instrucciones.

## Extracción y colocación de accesorios

- a. Extraiga la batería de la selladora.
- b. Para abrir el pasador de montaje de accesorios:
  1. Presione levemente el pasador de montaje de accesorios.
  2. Tuerza el pasador hacia la izquierda unos 45° para abrirlo.
- c. Introduzca o extraiga el accesorio apropiado (*Figura 7*).



**Figura 7 – Apertura del pasador de montaje de accesorios**



**Figura 8 – Apertura de las mordazas**

- d. Empuje el pasador de montaje de accesorios para cerrarlo, hasta que quede enclavado en la posición cerrada. El pasador de montaje de accesorios debe estar completamente cerrado para que la selladora no se dañe durante el funcionamiento.

NOTA: No haga funcionar la selladora si el accesorio no está colocado, ya que se podría dañar la selladora.

## Preparación de la conexión

**AVISO** Estas instrucciones son prácticas generales para diversos tipos de accesorios de selladoras. Siempre siga las instrucciones específicas que correspondan al accesorio de sellado en uso y las instrucciones específicas de instalación provistas por el fabricante del acoplamiento. Así se reduce el riesgo de producir una unión o conexión defectuosa y causar cuantiosos daños materiales.

1. Prepare la conexión de acuerdo con las instrucciones del fabricante del acoplamiento.
2. Con las manos secas, introduzca en la selladora una batería completamente cargada.

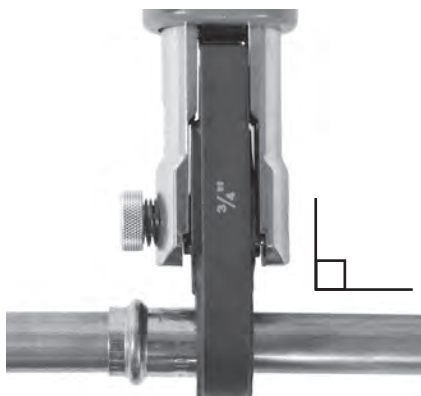
## Selladura de un acoplamiento

1. Apriete los brazos de la mordaza para abrirla.

2. Coloque las mordazas abiertas de manera que encierren el acoplamiento (Figura 9). El perfil de sellado de las mordazas debe estar bien alineado con el contorno del acoplamiento según se especifica en las instrucciones de instalación del fabricante del acoplamiento. Para cerrar las mordazas sobre el acoplamiento, suelte los brazos de las mordazas. No cuelgue el juego de mordazas del acoplamiento ya que la selladora podría caerse inesperadamente y causar lesiones graves o la muerte.



**Figura 9 – Colocación de las mordazas para que encierren el acoplamiento**



**Figura 10 – Colocación de las mordazas perpendiculares al acoplamiento**

3. Confirme que las mordazas estén bien colocadas y perpendiculares al acoplamiento (Figura 10). Mantenga los dedos y las manos apartados de las mordazas para evitar que sean aplastados por las mordazas o entre las mordazas y el entorno.

Oprima el gatillo interruptor de operación. Se inicia el ciclo de sellado y los rodillos hacen contacto con los brazos de las mordazas, y se completa el ciclo. Siga apretando el gatillo interruptor de operación hasta que el ariete automáticamente se retraiga. La retracción automática del ariete indica que la selladora ha alcanzado la fuerza suficiente y se ha completado el ciclo. Esto es necesario para asegurar una conexión completa.

Si debe retirar la selladora antes de completar la conexión, suelte el gatillo interruptor de operación, y oprima el botón de liberación de presión (Figura 1). Cada vez que oprima el botón de liberación de presión, significa que NO se ha completado la selladura y la conexión debe volver a sellarse. Si la herramienta funciona mal durante la operación, use este procedimiento.



**Figura 11 – Selladura del acoplamiento**

4. Suelte el gatillo interruptor de operación.
5. Apriete los brazos de las mordazas para abrirlas.
6. Desmonte las mordazas del acoplamiento. No toque los bordes filosos que podrían haberse formado en el acoplamiento durante la operación de sellado.
7. Cuando complete la operación, extraiga la batería de la máquina.

### **Inspección de la junta sellada**

1. Inspeccione el acoplamiento sellado y verifique lo siguiente:
  - El tubo está completamente insertado en el acoplamiento.
  - Los tubos no están demasiado mal alineados. Un alineamiento ligeramente mal alineado en la conexión se considera normal.
  - El accesorio no está mal alineado con el contorno del acoplamiento y el acoplamiento no está distorsionado o deforme.
  - No existe ningún otro problema, según el fabricante del acoplamiento. Esto podría incluir la eliminación de un anillo de control o calcomanía (usada para indicar que la conexión todavía no se ha sellado).

Si encuentra cualquier problema, extraiga el acoplamiento e instale una nueva conexión.
2. Si está inspeccionando un acoplamiento ProPress, verifique que está presente la marca testigo de ProPress en una de las superficies planas del hexágono (vea la Figura 12). Esta marca especial confirma que se usó el juego correcto de

mordazas RIDGID que se han diseñado específicamente para el sistema de acoplamiento ProPress para formar la junta sellada. Esta marca testigo es una marca comercial de Ridge Tool Company. Si esta marca no está presente, podría anular la garantía del fabricante del sistema.

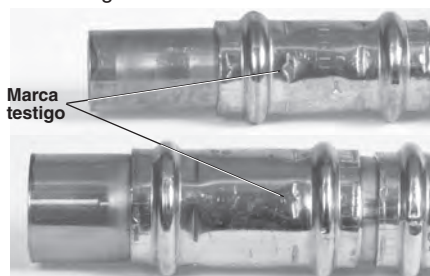


Figura 12 – Marca testigo ProPress

3. Someta el sistema a prueba según las instrucciones del fabricante del acoplamiento, las prácticas normales y los códigos vigentes.

## Inactivación y activación de la luz de trabajo

- Para inactivar la luz de trabajo, presione el interruptor de operación y extraiga la batería de la selladora.
- Para activar la luz de trabajo cuando se ha extraído la batería, presione el interruptor de operación e introduzca la batería en la selladora.

## Almacenamiento

Extraiga la batería de la selladora. Guarde la selladora, los accesorios y la batería en el maletín. Evite almacenarlas en ambientes muy calurosos o muy fríos. La selladora no se encenderá si la temperatura está fuera de los límites especificados.

**⚠ ADVERTENCIA** Almacene la selladora en un lugar seco y resguardado, bajo llave, fuera del alcance de niños y de personas que no estén familiarizadas con la selladora. El aparato es peligroso en manos de personas no capacitadas.

## Instrucciones de mantenimiento

### ⚠ ADVERTENCIA

**Asegure que se haya quitado la batería de la selladora antes de efectuarle mantenimiento o hacer ajustes.**

**No abra la selladora ni la batería.** Contienen piezas que el usuario no puede reparar.

### Limpieza y lubricación

1. Diariamente limpie la selladora con un paño limpio y seco.
2. Inspeccione el pasador de montaje de accesorios y lubríquelo con un lubricante de silicona cuando sea necesario.

### Accesorios de sellado

1. Inspeccione el perfil de sellado diariamente (*Figura 13*). Si está oxidado, sucio o tiene acumulaciones de material del acoplamiento en su diámetro interior, limpie el perfil con una almohadilla fina para pulir metales (marca Scotch-Brite®, que es marca comercial de 3M Company, o su equivalente). También puede usar lana de acero o una escobilla de alambre de acero.

**⚠ AVISO** No limpie el perfil de sellado con materiales muy abrasivos o métodos demasiado agresivos, tales como telas de lija, papel de lija, esmeriles o lijas rotatorias. Estos métodos podrían alterar la configuración crítica del perfil de sellado y llevar a la formación de conexiones mal selladas, lo cual podría producir cuantiosos daños a la propiedad.

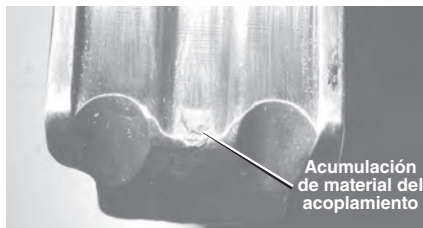


Figura 13 – Acumulación de material del acoplamiento que exige limpiar las mordazas

2. Es necesario limpiar y lubricar los pasadores de pivote y los puntos móviles por lo menos una vez al mes con un aceite lubricante liviano de uso general.
3. Revise los muelles de retorno después de cada uso de la máquina. Las mordazas se deben abrir y cerrar sin atascarse

y aplicando solamente una fuerza moderada con los dedos.

### Servicio exigido en servicentros RIDGID independientes autorizados

Una vez que la selladora completa 18.000 ciclos, la luz indicadora de estado empie-

za a parpadear, indicando que ha llegado el momento de hacerle mantenimiento y recalibración. Si no se somete la selladora a servicio durante los siguientes 2.000 ciclos después de que la luz de estado empieza a parpadear, la selladora dejará de funcionar al completar 20.000 ciclos.

### Resolución de problemas

PROBLEMA	POSIBLES RAZONES	SOLUCIÓN
La selladora no se enciende cuando se oprime el gatillo interruptor de operación.	La batería está completamente descargada o ha fallado. ----- La batería no está bien encajada en el mango de la selladora.	Introduzca una batería completamente cargada o vuelva a cargar la batería agotada. ----- Verifique que la batería esté introducida a fondo.
El accesorio está trabado con el acoplamiento.	No se completó bien la selladura.	Oprima el botón de liberación de presión para separar las mordazas del acoplamiento. Inspeccione y repita la selladura.
Las conexiones producidas no quedan completamente selladas.	Se han usado mordazas incorrectas para ese tamaño de tubo o para el material. ----- La selladora no estaba perpendicular al tubo. ----- El contorno de las mordazas no estaba alineado con el contorno del acoplamiento. ----- La selladora debe repararse.	Instale el accesorio correcto.  ----- Vuelva a trabajar la conexión con un nuevo acoplamiento y un nuevo tubo. Asegure que la selladora forme un ángulo recto con el tubo. ----- Vuelva a trabajar la conexión con un nuevo acoplamiento y un nuevo tubo. Asegure que el contorno del accesorio de sellado esté alineado con el contorno del acoplamiento. ----- <i>Vea Información de contacto</i> para encontrar el servicentro independiente autorizado de RIDGID más cercano.
Hay aletas excesivamente grandes o filosas en la línea de separación de la junta, donde se ponen en contacto las puntas de las mordazas.	Hay material acumulado del acoplamiento en la zona del contorno cerca de las puntas de las mordazas. ----- Las mordazas están excesivamente desgastadas o dañadas.	Limpie las mordazas en la zona del contorno, con una almohadilla para pulir metales tales como las almohadillas Scotch-Brite®. Vea las instrucciones en la sección <i>Mantenimiento</i> . ----- Deseche las mordazas y reemplácelas con un nuevo juego de mordazas RIDGID.
Las mordazas quedan demasiado adheridas al acoplamiento una vez completada la junta sellada.	Hay acumulación de material del acoplamiento en la zona del contorno cerca de las puntas de las mordazas.	Limpie las mordazas en la zona del contorno, con una almohadilla para pulir metales tales como las almohadillas Scotch-Brite®. Vea las instrucciones en la sección <i>Mantenimiento</i> .
La selladora tiene una fuga de aceite.	Hay problemas de sello o problemas mecánicos.	
El motor funciona pero la selladora no completa su ciclo.	El nivel de aceite está bajo.	<i>Vea la Información de contacto</i> para encontrar el servicentro independiente autorizado de RIDGID más cercano.
La selladora se detiene durante la operación.	El nivel de aceite está bajo.	

*Vea en la Figura 5 las luces indicadoras de estado de la selladora.*

## Servicio y reparaciones

### ⚠ ADVERTENCIA

**Es peligroso hacer funcionar una selladora que ha recibido un servicio inapropiado o una mala reparación.**

El servicio o reparación de la selladora RP 115 debe efectuarse en un servicentro RIDGID independiente y autorizado para selladoras.

Si necesita información sobre el servicentro autorizado independiente RIDGID más cercano o si tiene alguna pregunta acerca del servicio o reparaciones, vea la sección Información de contacto en este manual.

## Equipos opcionales

### ⚠ ADVERTENCIA

**Con el fin de reducir el riesgo de lesiones, emplee únicamente los equipos específicamente diseñados y recomendados para usarse con la selladora RP 115, como los que se listan a continuación.**

N° Cat.	Descripción
75338	Maletín RP 115

### Mordazas

N° Cat.	Descripción	Peso
72563	Mordazas Mini PureFlow de ½"	2,2 libras (1 kg)
72568	Mordazas Mini PureFlow de ¾"	2,2 libras (1 kg)
72578	Mordazas Mini ProPress de ½"	2,2 libras (1 kg)
72583	Mordazas Mini ProPress de ¾"	2,2 libras (1 kg)

### Batería

N° Cat.	Descripción	Capacidad
55183	RB-1225R	10,8 V (2,5 Ah)

La batería es compatible con cualquier cargador de baterías RBC-121.

## Cargadores y cordones

N° Cat.	Descripción	Región	Tipo de enchufe
55193	Cargador	EE. UU., Canadá y México	A
55198	Cargador	Europa	C
55203	Cargador	China	A
55208	Cargador	Australia y Latinoamérica	I
55213	Cargador	Japón	A
55218	Cargador	Reino Unido	G
44798	Cordón del cargador	Norteamérica	A
44808	Cordón del cargador	Europa	C
44803	Cordón del cargador	China	A
44813	Cordón del cargador	Australia y Latinoamérica	I
44818	Cordón del cargador	Japón	A
44828	Cordón del cargador	Reino Unido	G

Vea la lista completa de equipos opcionales RIDGID® disponibles para esta selladora en el catálogo de Ridge Tool en línea en RIDGID.com o vea la *Información de contacto*.

## Eliminación

Algunas piezas de estas herramientas contienen materiales valiosos y se pueden reciclar. Hay compañías locales que se especializan en reciclaje. Deseche los componentes de acuerdo con todos los reglamentos vigentes. Para más información, comuníquese con la agencia local de eliminación de desechos.

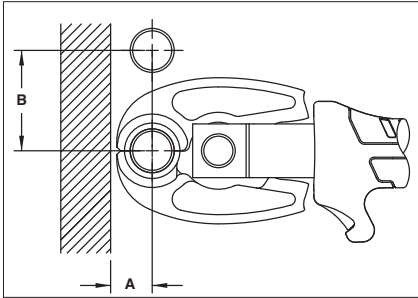


**Para los países de la Comunidad Europea:** ¡No deseche equipos eléctricos en la basura común!

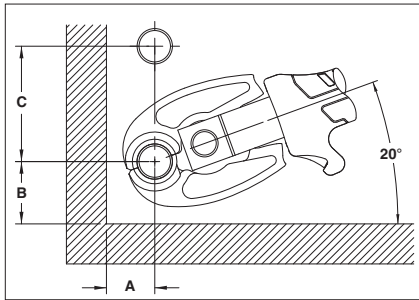
De acuerdo con el Lineamiento Europeo 2012/19/EU para Desechos de Equipos Eléctricos y Electrónicos y su implementación en la legislación nacional, los equipos eléctricos inservibles se deben recolectar y desechar por separado en una forma que cumpla con las normas del medio ambiente.

## Requisitos de espacio

En las siguientes figuras se muestran los requisitos de espacio libre para las mordazas y acoplamientos.



Sistema	Diám. del tubo	A (mín.)		B (mín.)	
		Pulg.	mm	Pulg.	mm
ProPress	1/2"	7/8	23	2 1/8	54
	3/4"	1	26	2 1/2	64
PureFlow	1/2"	3/4	19	2	51
	3/4"	1 1/8	29	2 1/4	57



Sistema	Diám. del tubo	A (mín.)		B (mín.)		C (mín.)	
		Pulg.	mm	Pulg.	mm	Pulg.	mm
ProPress	1/2"	7/8	23	1 5/8	41	2 3/4	70
	3/4"	1 1/8	29	2 3/4	45	2 7/8	73
PureFlow	1/2"	7/8	23	1 5/8	41	2 1/2	64
	3/4"	1 1/4	32	1 3/4	45	2 3/4	70

## Compatibilidad electromagnética (CEM)

El término compatibilidad electromagnética significa la capacidad del aparato de funcionar sin problemas en un entorno donde hay radiaciones electromagnéticas y descargas electrostáticas, y sin causar interferencia electromagnética en otros equipos.

**AVISO** Estas máquinas se ajustan a todas las normas CEM correspondientes. Sin embargo, no puede excluirse la posibilidad de que causen interferencias en otros aparatos. Todas las normas con respecto a CEM que se han probado están indicadas en el documento técnico del aparato.





## **FCC Statement**

This equipment has been tested and found to comply with the limits for a Class A digital device, pursuant to part 15 of the FCC Rules. These limits are designed to provide reasonable protection against harmful interference when the equipment is operated in a commercial environment. This equipment generates, uses, and can radiate radio frequency energy and, if not installed and used in accordance with the instruction manual, may cause harmful interference to radio communications. Operation of this equipment in a residential area is likely to cause harmful interference in which case the user will be required to correct the interference at his own expense.

**RIDGID® RP 115 Press Tool****MANUFACTURER**

RIDGE TOOL COMPANY  
400 Clark Street  
Elyria, Ohio 44035-6001  
U.S.A.  
RTCRegulatoryCompliance@Emerson.com

**AUTHORIZED REPRESENTATIVE**

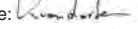
Ridge Tool Europe NV  
Ondernemerslaan 5428  
3800 Sint-Truiden, Belgium  
europeproductcompliance@emerson.com  
+40 374132035



Complies with UL 62841-1  
CSA C22.2 No. 62841-1

E114309



Signature:   
Name: Harald Krondorfer  
Qualification: V.P. Engineering  
Date: 07/18/2022

#### What is covered

RIDGID® tools are warranted to be free of defects in workmanship and material.

#### How long coverage lasts

This warranty lasts for the lifetime of the RIDGID® tool. Warranty coverage ends when the product becomes unusable for reasons other than defects in workmanship or material.

#### How you can get service

To obtain the benefit of this warranty, deliver via prepaid transportation the complete product to RIDGE TOOL COMPANY, Elyria, Ohio, or any RIDGID® AUTHORIZED INDEPENDENT SERVICE CENTER. Pipe wrenches and other hand tools should be returned to the place of purchase.

#### What we will do to correct problems

Warranted products will be repaired or replaced, at RIDGE TOOL'S option, and returned at no charge; or, if after three attempts to repair or replace during the warranty period the product is still defective, you can elect to receive a full refund of your purchase price.

#### What is not covered

Failures due to misuse, abuse or normal wear and tear are not covered by this warranty. RIDGE TOOL shall not be responsible for any incidental or consequential damages.

#### How local law relates to the warranty

Some states do not allow the exclusion or limitation of incidental or consequential damages, so the above limitation or exclusion may not apply to you. This warranty gives you specific rights, and you may also have other rights, which vary, from state to state, province to province, or country to country.

#### No other express warranty applies

This FULL LIFETIME WARRANTY is the sole and exclusive warranty for RIDGID® products. No employee, agent, dealer, or other person is authorized to alter this warranty or make any other warranty on behalf of the RIDGE TOOL COMPANY.



Full lifetime warranty (garantie légale étendue à la durée de vie du produit, voir conditions de garantie / legal warranty extended to the product lifecycle, see warranty conditions)

**Parts are available online at [Store.RIDGID.com](http://Store.RIDGID.com)**

#### Ce qui est couvert

Les outils RIDGID® sont garantis contre tous vices de matériaux et de main d'œuvre.

#### Durée de couverture

Cette garantie est applicable durant la vie entière de l'outil RIDGID®. La couverture cesse dès lors que le produit devient inutilisable pour raisons autres que des vices de matériaux ou de main d'œuvre.

#### Pour invoquer la garantie

Pour toutes réparations au titre de la garantie, il convient d'expédier le produit complet en port payé à la RIDGE TOOL COMPANY, Elyria, Ohio, ou bien le remettre à un réparateur RIDGID® indépendant agréé. Les clés à pipe et autres outils à main doivent être ramenés au lieu d'achat.

#### Ce que nous ferons pour résoudre le problème

Les produits sous garantie seront à la discrétion de RIDGE TOOL, soit réparés ou remplacés, puis réexpédiés gratuitement ; ou si, après trois tentatives de réparation ou de remplacement durant la période de validité de la garantie le produit s'avère toujours défectueux, vous aurez l'option de demander le remboursement intégral de son prix d'achat.

#### Ce qui n'est pas couvert

Les défaillances dues au mauvais emploi, à l'abus ou à l'usure normale ne sont pas couvertes par cette garantie. RIDGE TOOL ne sera tenue responsable d'aucuns dommages directs ou indirects.

#### L'influence de la législation locale sur la garantie

Puisque certaines législations locales interdisent l'exclusion des dommages directs ou indirects, il se peut que la limitation ou exclusion ci-dessus ne vous soit pas applicable. Cette garantie vous donne des droits spécifiques qui peuvent être éventuellement complétés par d'autres droits prévus par votre législation locale.

#### Il n'existe aucune autre garantie expresse

Cette GARANTIE PERPETUELLE INTEGRALE est la seule et unique garantie couvrant les produits RIDGID®. Aucun employé, agent, distributeur ou tiers n'est autorisé à modifier cette garantie ou à offrir une garantie supplémentaire au nom de la RIDGE TOOL COMPANY.

#### Qué cubre

Las herramientas RIDGID® están garantizadas contra defectos de la mano de obra y de los materiales empleados en su fabricación.

#### Duración de la cobertura

Esta garantía cubre a la herramienta RIDGID® durante toda su vida útil. La cobertura de la garantía caduca cuando el producto se torna inservible por razones distintas a las de defectos en la mano de obra o en los materiales.

#### Cómo obtener servicio

Para obtener los beneficios de esta garantía, envíe mediante porte pagado, la totalidad del producto a RIDGE TOOL COMPANY, en Elyria, Ohio, o a cualquier servicentro independiente autorizado de RIDGID. Las llaves para tubos y demás herramientas de mano deben devolverse a la tienda donde se adquirieron.

#### Lo que hacemos para corregir el problema

El producto bajo garantía será reparado o reemplazado por otro, a discreción de RIDGE TOOL, y devuelto sin costo; o, si aún resulta defectuoso después de haber sido reparado o sustituido tres veces durante el período de su garantía, Ud. puede optar por recibir un reembolso por el valor total de su compra.

#### Lo que no está cubierto

Esta garantía no cubre fallas debido al mal uso, abuso o desgaste normal. RIDGE TOOL no se hace responsable de daño incidental o consiguiente alguno.

#### Relación entre la garantía y las leyes locales

Algunos estados de los EE.UU. no permiten la exclusión o restricción referente a daños incidentales o consiguientes. Por lo tanto, puede que la limitación o restricción mencionada anteriormente no rija para Ud. Esta garantía le otorga derechos específicos, y puede que, además, Ud tenga otros derechos, los cuales varían de estado a estado, provincia a provincia o país a país.

#### No rige ninguna otra garantía expresa

Esta GARANTIA VITALICIA es la única y exclusiva garantía para los productos RIDGID®. Ningún empleado, agente, distribuidor u otra persona está autorizado para modificar esta garantía u ofrecer cualquier otra garantía en nombre de RIDGE TOOL COMPANY.

## Ridge Tool Company

400 Clark Street  
Elyria, Ohio 44035-6001  
U.S.A.

Printed 7/22  
ECN001044

©2022 Ridge Tool Company.  
RIDGID and the Emerson logo are registered trademarks of Emerson Electric Co. or its subsidiaries in the US and other countries.  
Any other trademarks belong to their respective holders.

999-995-408.10  
REV. A

**RIDGID**

**EMERSON**